

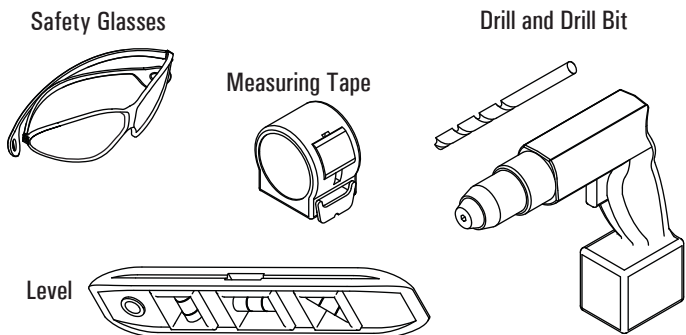
ES SHUTTER FAN



WARRANTY

J&D Manufacturing warrants all products are free from defects in materials and workmanship under normal use for the period of one year from date of purchase. Our warranty does not cover normal or regular wear and tear. J&D Manufacturing can repair or replace at our option, any product or part of the product that is found to be defective. Our warranty applies to materials only, and does not include return freight, delivery, loss or damage to personal property, cost of removal or installation, any incidental or consequential damages or labor. This warranty does not apply to products which are misused, abused, altered, improperly installed or subject to negligence. All warranties must be approved through our warranty department. The original purchaser must present a copy of the invoice for the defective product. One year is our standard warranty unless specified on our literature or in the installation instructions or user manuals.

RECOMMENDED TOOLS FOR INSTALLATION (NOT PROVIDED)

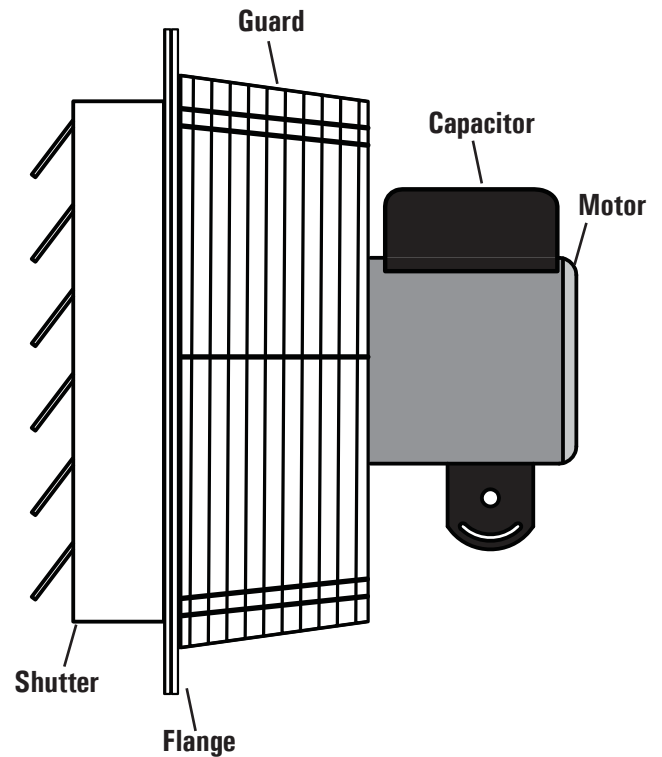


INSTALLATION HARDWARE IS NOT PROVIDED

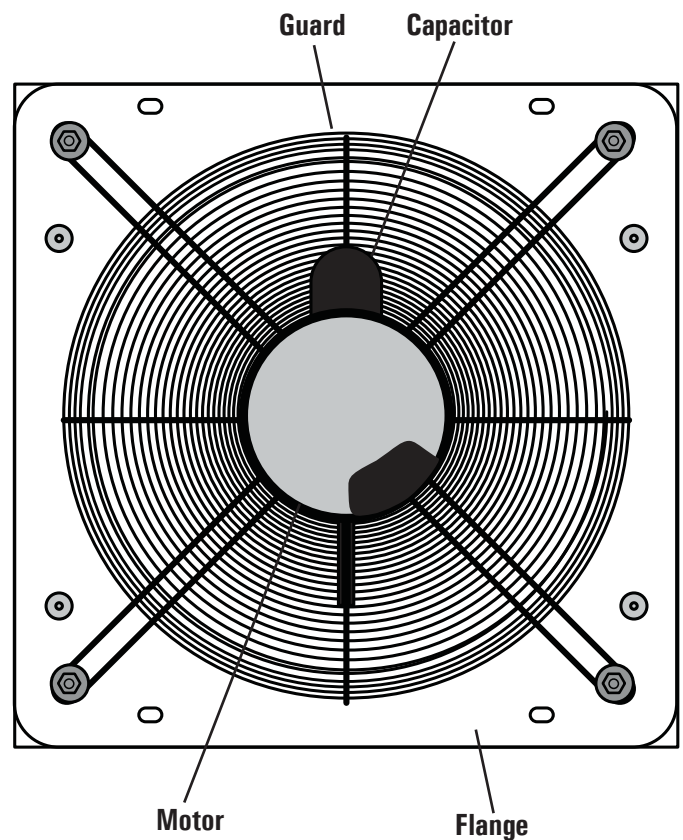
Use appropriate fasteners and washers for your structure.

PRODUCT LEGEND

SIDE VIEW



BACK VIEW



INSTALLATION

Please read over all instructions carefully before you begin. If you have any questions please call your local dealer, or contact J&D Manufacturing at 1-800-998-2398.

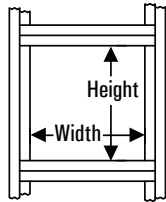
STANDARD INSTALLATION

This is the preferred method of installation. If the wall you are using is exceptionally thick, or if you wish to have the shutter mounted to the outside of your building, the ALTERNATE INSTALLATION may be used.

Construct a structurally sound rough opening for your fan.

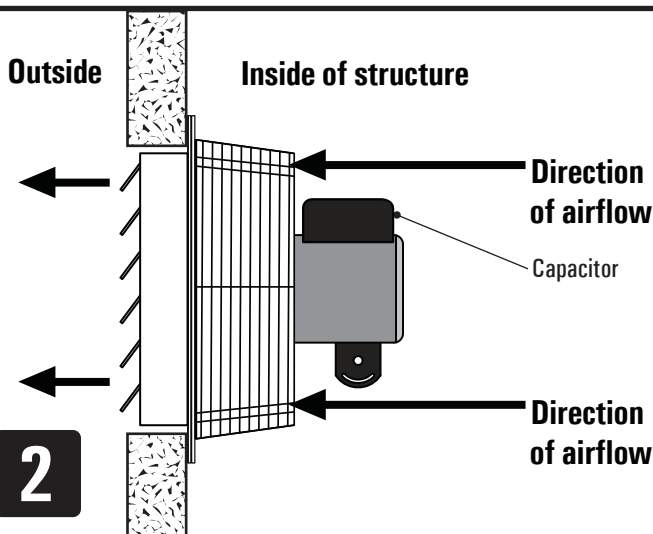
1

Fan Size	Height	Width
10"	12½"	12½"
12"	12½"	12½"
16"	16½"	16½"
20"	20½"	20½"
24"	24½"	24½"
30"	30½"	30½"



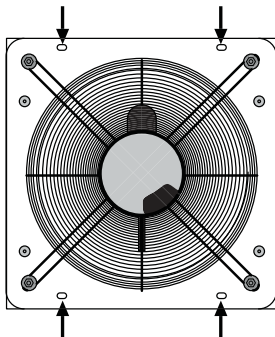
Insert exhaust fan shutter into finished opening making sure that shutter can move freely. Exhaust fan must be mounted with the motor inside of structure, protected from the weather, and with capacitor on top as shown.

2



Using appropriate hardware (not provided) for your structure and the weight of your exhaust fan, secure the fan to your structure using the (4) pre-drilled holes on the flange.

3



POWERING UNIT

The ES Shutter fan is available with or without a pre-wired cord. If the model you purchased includes an attached cord, proceed to step 4a for instructions on powering your fan. If you purchased a model without a cord, proceed to step 4b for wiring instructions.

4a

- Plug cord into 115 AC grounded outlet that meets national, regional and local codes.
- Route electrical cord from motor to outlet with drip loop. Drip loop will drain accumulated moisture away from the motor and outlet.
- Only permit power to unit when shutter and guard is fully installed to prevent injury.

Separate variable speed control is required to adjust fan speed. Contact your dealer for more information.

4b

ALL ELECTRICAL WORK SHOULD BE COMPLETED BY QUALIFIED PERSONNEL AND MEET NATIONAL, REGIONAL AND LOCAL CODES.

- Install manual disconnect switch inside building adjacent to fan per national, regional, and local electrical codes.
- Route wire to motor with drip loop and secure. Drip loop will drain accumulated moisture away from the motor.
- Configure internal wires to match supply voltage and wire according to motor nameplate. Test to verify correct rotation.
- Only permit power to unit when shutter and guard is fully installed to prevent injury.

Separate variable speed control is required to adjust fan speed. Contact your dealer for more information.

MAINTENANCE INSTRUCTIONS

- Disconnect power before cleaning or maintaining your fan in order to prevent serious injury or death.
- Service and repair of fan should only be completed by a qualified technician.
- For maximum efficiency and fan life, keep the following free from dirt and dust:
 - blades
 - housing
 - shutters
 - motor
 - guard
- The totally enclosed air over motor has sealed ball bearings and does not require additional lubrication.

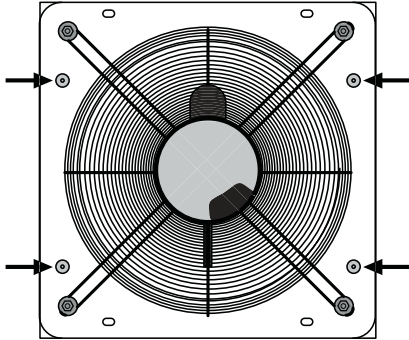
ALTERNATE INSTALLATION

The STANDARD INSTALLATION method is the preferred method. If the wall you are using to mount your exhaust fan is exceptionally thick, or if you wish to have the shutter mounted to the outside of your building, the ALTERNATE INSTALLATION method may be used.

1

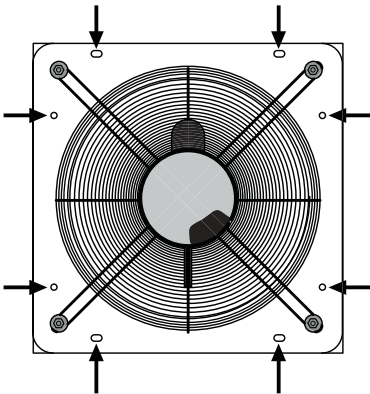
Construct a rough opening using dimensions listed in step 1 of STANDARD INSTALLATION

Separate the shutter from the assembled fan by drilling out the 4 rivets that hold the shutter to the flange as shown below.



2

Using appropriate hardware (not provided) for your structure and the weight of your exhaust fan, secure the fan to your structure using the (8) pre-drilled holes on the flange. Exhaust fan must be mounted with the motor inside of structure, protected from the weather, and with capacitor on top as shown.



Outside

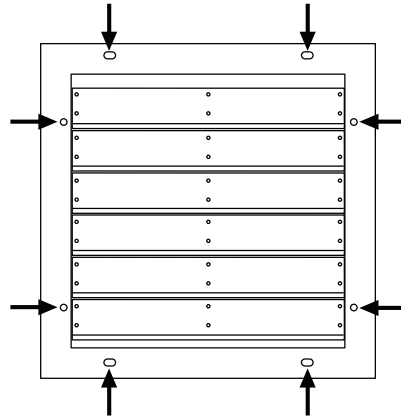
Inside of structure

Direction of airflow
Capacitor

Direction of airflow

3

Using appropriate hardware (not provided) for your structure and the weight of the shutter, secure the shutter to the outside of your structure using the (8) pre-drilled holes on the flange. Louvers should open to the outside.



Outside

Inside of structure

Direction of airflow
Capacitor

Direction of airflow

4

5

Refer to step 4 of STANDARD INSTALLATION for instructions on how to power your exhaust fan.

MAINTENANCE INSTRUCTIONS

- Disconnect power before cleaning or maintaining your fan in order to prevent serious injury or death.
- Service and repair of fan should only be completed by a qualified technician.
- For maximum efficiency and fan life, keep the following free from dirt and dust: blades, housing, shutters, motor, and guard
- The totally enclosed air over motor has sealed ball bearings and does not require additional lubrication.

J&D
Manufacturing

6200 Hwy 12 • Eau Claire, WI 54701 • 1-800-998-2398

Visit our website at www.jdmfg.com