

MixRite

Agriculture Products

PARTS & DIAGRAMS

DAIRY

GREENHOUSE

ANIMAL HEALTH

IRRIGATION

HYDROPONICS

WATER TREATMENT



Scan for digital version.



Dispensing Innovation

MixRite

DILUTION CONVERSIONS

Percentage	Ratio	
0.2	1:500	1:500
		1:300
0.4	1:200	1:256
		1:200
0.6		1:166
		1:142
0.8	1:128	1:128
		1:111
1%	1:100	1:100
		1:91
1.2		1:83
		1:76
1.4		1:71
		1:66
1.6	1:64	1:64
		1:62
		1:58
1.8		1:55
		1:52
2%	1:50	1:50

Ounce = 29.57 Milliliters
1 Gallon = 3.79 Liters

Percentage	Ratio	Oz/Gallon	PPM	ML/GAL	TSP/Gal
0.10%	1000:1	0.128	1,000	3.8	0.8
0.13%	750:1	0.17	1,300	5	1
0.20%	500:1	0.256	2,000	7.6	1.5
0.25%	400:1	0.32	2,500	9.5	1.9
0.26%	375:1	0.34	2,600	10	2
0.30%	333:1	0.384	3,000	11	2.3
0.33%	303:1	0.4224	3,300	12	2.5
0.40%	250:1	0.512	4,000	15	3.1
0.50%	200:1	0.64	5,000	19	3.8
0.60%	167:1	0.768	6,000	23	4.6
0.70%	143:1	0.896	7,000	26	5.4
0.75%	133:1	0.96	7,500	28	5.8
0.80%	125:1	1.024	8,000	30	6.1
0.90%	111:1	1.152	9,000	34	6.9
1.00%	100:1	1.28	10,000	38	7.7
1.10%	91:1	1.408	11,000	42	8.4
1.25%	80:1	1.6	12,500	47	9.6
1.30%	77:1	1.664	13,000	49	10
1.40%	71:1	1.792	14,000	53	11
1.50%	67:1	1.92	15,000	57	12
1.60%	63:1	2.048	16,000	61	12
1.70%	59:1	2.176	17,000	64	13
1.75%	57:1	2.24	17,500	66	13
1.80%	56:1	2.304	18,000	68	14
1.90%	53:1	2.432	19,000	72	15
2.00%	50:1	2.56	20,000	76	15
2.25%	44:1	2.88	22,500	85	17
2.50%	40:1	3.2	25,000	95	19
2.75%	36:1	3.52	27,500	104	21
3.00%	33:1	3.84	30,000	114	23
3.50%	29:1	4.48	35,000	132	27
4.00%	25:1	5.12	40,000	151	31
5.00%	20:1	6.4	50,000	189	38
6.00%	17:1	7.68	60,000	227	46
7.00%	14:1	8.96	70,000	265	54
8.00%	13:1	10.24	80,000	303	61
9.00%	11:1	11.52	90,000	341	69
10.00%	10:1	12.8	100,000	379	77

*Volume of Product Injected Per
Volume of Incoming Water

PREVENTIVE MAINTENANCE

Quick Glance Order Sheet

566 Ag 1% fixed

Lip seal kit- 36000000204
Spring kit - 36000000191
Check Valve Kit 36000000258
Includes 2

568AG .8% Fixed

Lip seal kit- 36000000206
Plastic Engine Spring Kit (includes 2 springs) 36000000191
Check Valve Kit 36000000258

569

Lip seal kit- 36000000210
Spring kit - 36000000191
Check Valve Kit 36000000258

570CW .3 to 2%

Lip seal kit- 36000000204
Spring kit - 36000000191
Check Valve Kit 36000000258

571 CW .3 to 2%

Lip seal kit- 36000000204
Plastic Engine Spring Kit (includes 2 springs) 36000000191
Check Valve Kit 36000000258

572 CW .4 to 4%

Lip seal kit- 36000000205
Plastic Engine Spring Kit (includes 2 springs) 36000000191
Check Valve Kit 36000000258

573CW .4 to 4%

Lip seal kit- 36000000205
Plastic Engine Spring Kit (includes 2 springs) 36000000191
Check Valve Kit 36000000258

1401 0.1 to 0.9%

MixRite 569/1401 Lip Seal Kit, LFR 36000000210
Plastic Engine Spring Kit (includes 2 springs) 36000000191
Check Valve Kit 36000000258

1402 0.3 to 2%

Lip Seal Kit, 2% Models, 14GPM, LFR (1402) 36000000204
Plastic Engine Spring Kit (includes 2 springs) 36000000191
Check Valve Kit 36000000258

1405 0.5 to 5%

Lip Seal Kit, 36000000001
Engine Spring Kit 36000000191
Check Valve Kit 36000000263

1410 1 to 10%

Lip Seal Kit 36000000213
Plastic Engine Spring Kit (includes 2 springs) 36000000191
Check Valve Kit 35200000059

TF 5.001/ 5.002/ 5.005

TF5 1% Lip Seal Kit, with Piston Seal 35200000001
TF5 2% Lip Seal Kit, with Piston Seal 35200000002
TF5 5% Lip Seal Kit, with Piston Seal 35200000005
Plastic Engine Spring Kit (includes 2 springs) TF5 TF10 35100000045
Check Valve Kit, 19 MM Barb - TF5, 35200000059

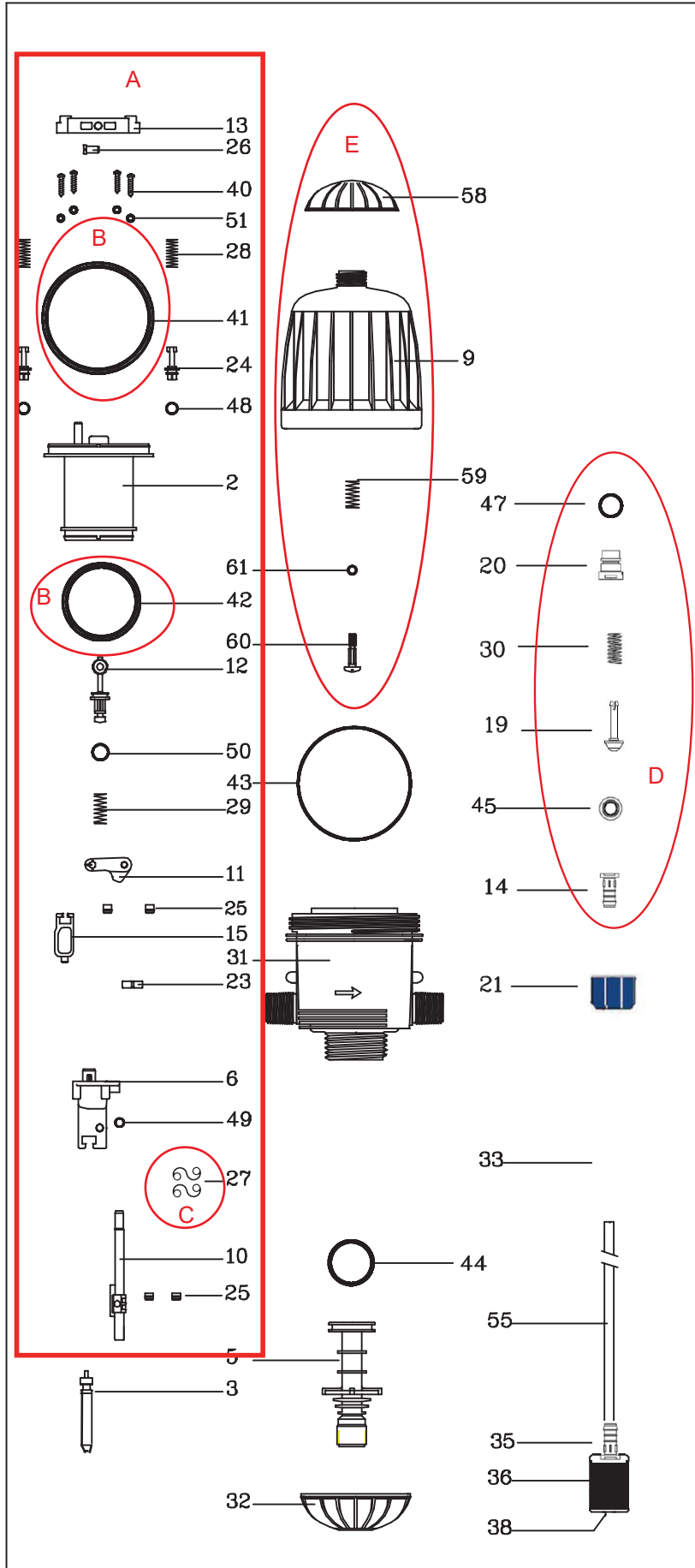
TF 10.001/ 10.002/ 10.005

TF10 - 1% Seal Kit 35100000001
TF10 - 2% Seal Kit 35100000002
TF10 - 5% Seal Kit 35100000005
Plastic Engine Spring Kit (2 per kit) 35100000045 TF10
Chemical Check Valve Kit 35200000059

TF25.001/25.002/ 25.005

TF25 - 1% Lip Seal Kit 35000000008
TF25 - 2% Lip Seal Kit 35000000002
TF25 - 5% Lip Seal Kit 35000000003
TF25 Plastic Engine Spring Kit (includes 2 springs) 35000000045
TF25 Chemical Check Valve kit 35000000022

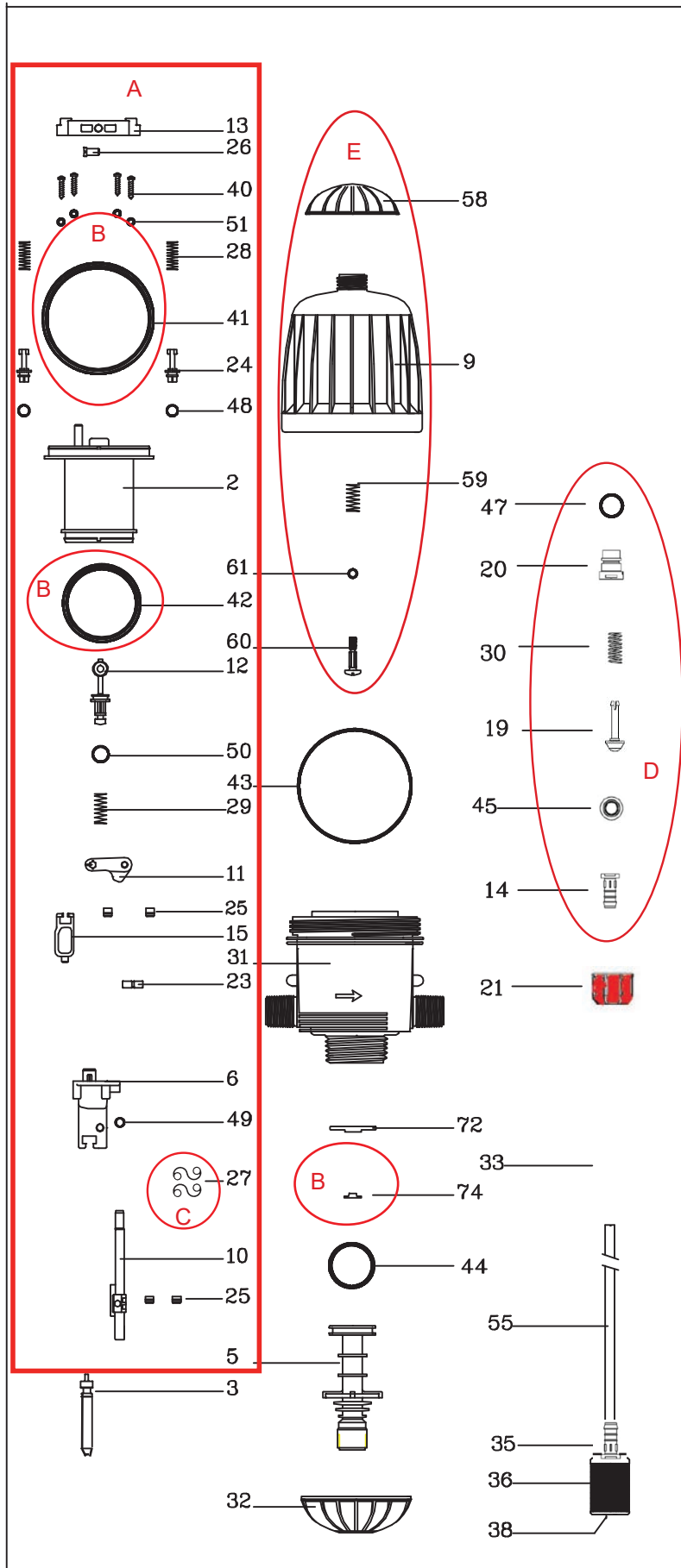
PART #: 566AG



PART #: 566AG

No.	Description	Kit/Part #
A	500 Series LFR Yellow Engine Replacement	36000000221
B	566AG Lip Seal Kit, LFR Yellow Engine, with piston seal	36000000204
C	Plastic Engine Spring Kit (includes 2 springs)	36000000191
D	Check Valve Kit	36000000258
E	500 Series, 14 Series Cover w/ Air release	36000000058
3	566AG Connecting Bar and Piston (one piece; no seal)	36010001103
5	566AG 1% Chemical Support Cylinder (No O-ring)	36010011205
21	Check Vale Nut, black	36012013221
28	Hastelloy Uper Engine Spring (one each; send two per unit)	38060797528
31	MixRite Body, 500 Series Grey Body 3/4" NPT Threads	36030162231
32	566-575 Large Nut, Cylinder Support Nut	36030161532
38	Suction Filter, 10 MM Barb	36000000171
43	500 Series Dome/Cover Oring	38022430243
44	Aflas Oring #44; Cylinder Support O-ring (1 per unit)	38022205244
47	Check Valve O-ring, Viton	38022110246
48	Oring #48 2-108 Aflas	38021085175
49	ORing #49 2-109 Aflas	38021095176
50	Oring, 10x3 Aflas, Engine Assembly	38001035250
55	3/8" ID Vinyl Chemical Tubing, fits 10MM barb	100.12L
Not Shown	Mounting Bracket, 500 Series	36030162765

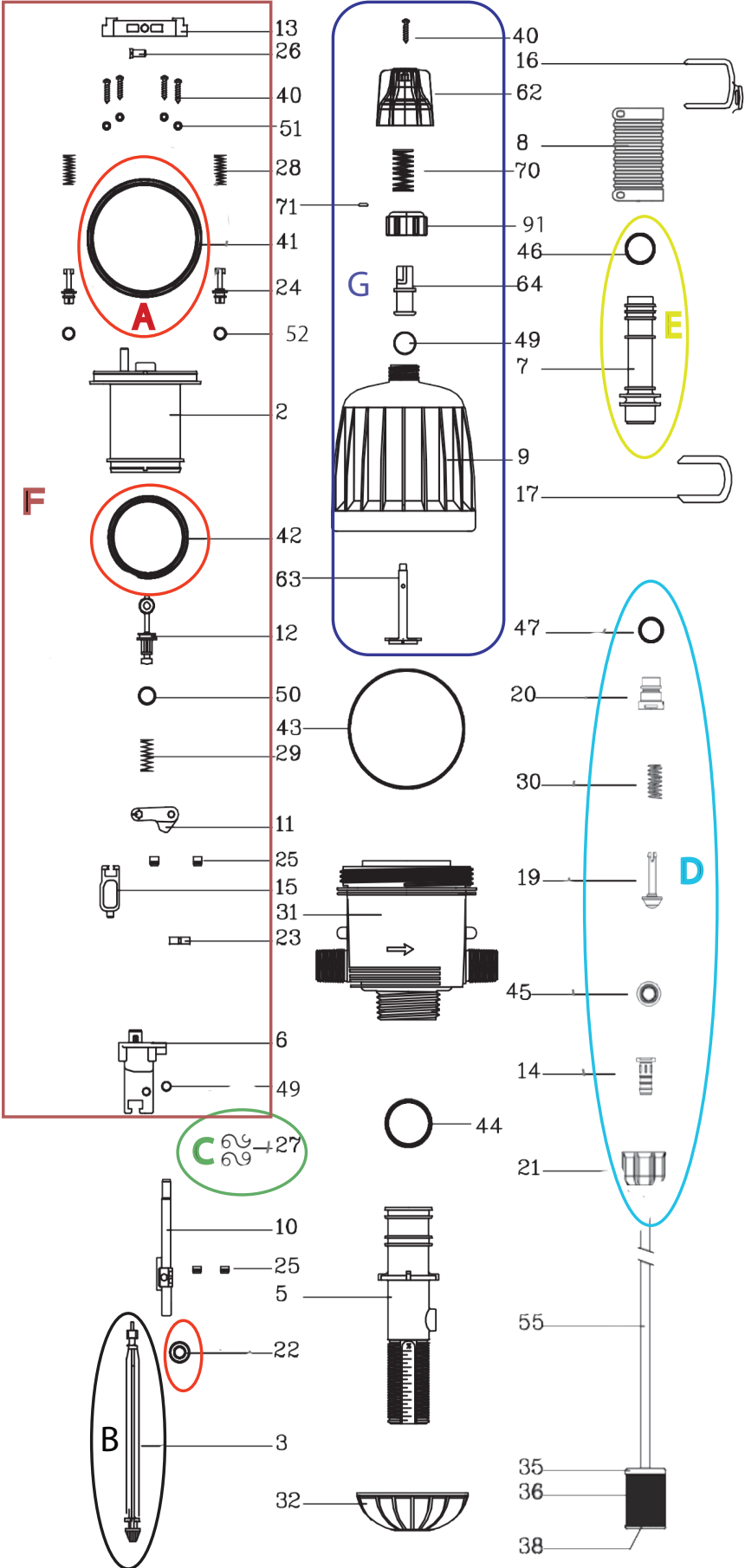
PART #: 568AG



PART #: 568AG

No.	Description	Kit/Part #
A	500 Series LFR Yellow Engine Replacement	36000000221
B	568AG Lip Seal Kit, yellow LFR engine	36000000206
	568AG Lip Seal Kit (old engines)	36000000098
C	Plastic Engine Spring Kit (includes 2 springs)	36000000191
D	Check Valve Kit	36000000258
E	500 Series, 14 Series Cover w/ Air release	36000000058
3	568AG Chemical Piston Rod w/o-ring (new)	36000000047
	568AG Chemical Piston Rod (no-orring) (old)	36030214203
5	568AG Chemical Cylinder - .8% or 1 oz/gallon (no orring)	36030214405
21	Check Vale Nut, black	36012013221
28	Hastelloy Uper Engine Spring (one each; send two per unit)	38060797528
31	MixRite Body, 500 Series Grey Body 3/4" NPT Threads	36030162231
32	566-575 Large Nut, Cylinder Support Nut	36030161532
38	Suction Filter, 10 MM Barb	36000000171
43	500 Series Dome/Cover Oring	38022430243
44	Aflas Oring #44; Cylinder Support O-ring (1 per unit)	38003443244
47	Check Valve O-ring, Viton	38021140047
48	Oring #48 2-108 Aflas	38021085175
49	ORing #49 2-109 Aflas	38021095176
50	Oring, 10x3 Aflas, Engine Assembly	38001035250
55	3/8" ID Vinyl Chemical Tubing, fits 10MM barb	100.12L
72	568AG Seal Adapter (old units only)	36030214472
74	568AG Conical Piston Seal, .8%, 1oz per gallon (old units only)	36000024274
Not Shown	Mounting Bracket, 500 Series	36030162765

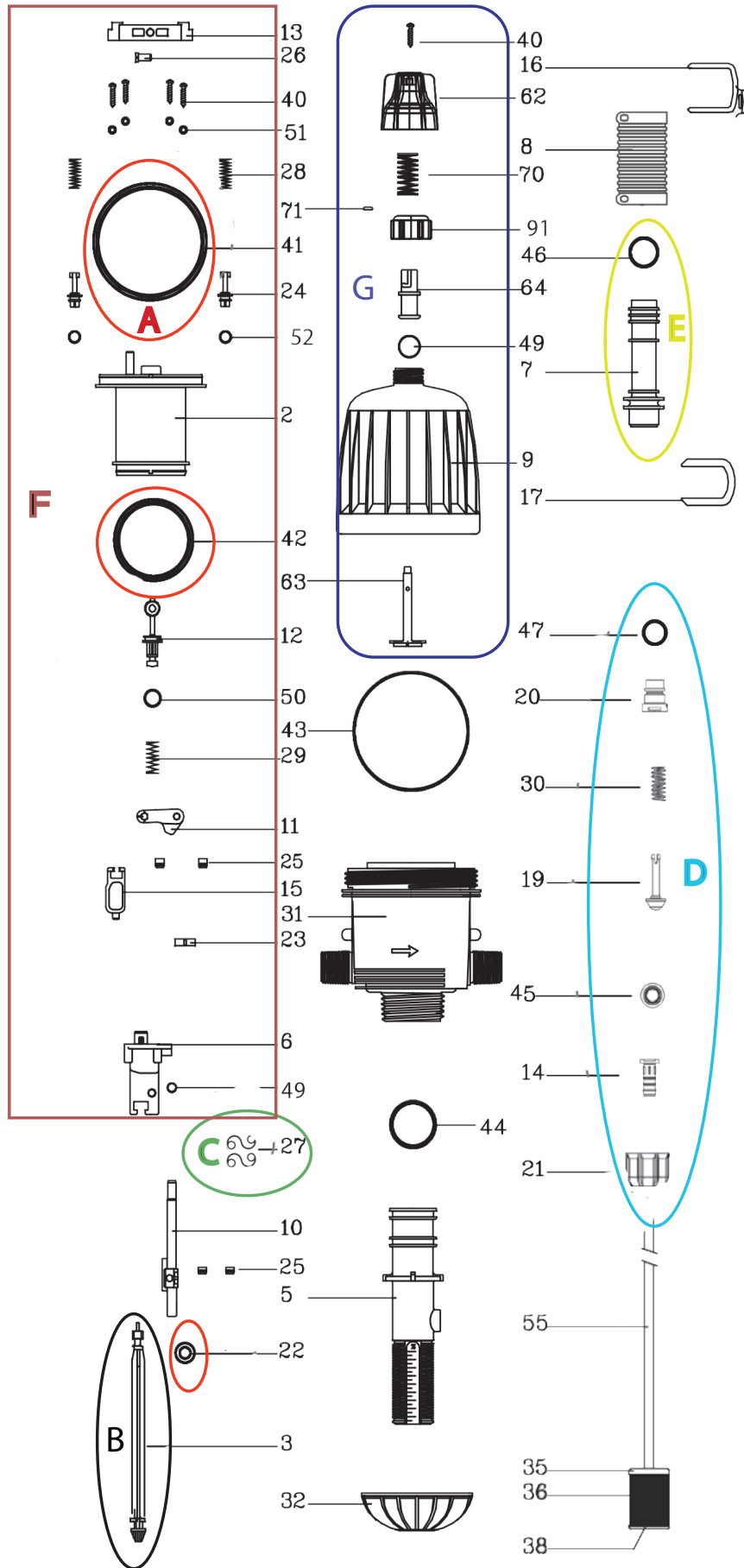
PART #: 569CWON/OFF



PART #: 569CWON/OFF

No.	Description	Kit/Part #
A	MixRite 569 Lip Seal Kit, LFR	36000000210
B	569 Piston connecting bar kit, with o-ring (.1-.9%)	36000000148
C	Engine Spring Kit	36000000191
D	Check Valve Kit	36000000258
E	Mixrite .1-.9% Chemical Cylinder and O-ring	36000000199
F	Engine Repair Kit, 569 MixRite	36300000019
G	On/Off Dome Cover	36300000044
5	569 1% Cylinder Support, No O-ring	36302012205
8	569 Adjustment Sleeve	36305003808
21	Check Valve nut	36307003234
22	MixRite 569 Chemical Piston Seal, Viton Extreme	36000030122
31	MixRite Body, 3/4" threads	36030162231
32	Cylinder Support Nut, 14-Series/500-Series	36030161532
35, 36, 38	Suction Filter, w/ 10mm barb	36000000171
43	Dome Cover O-ring	38022430243
44	Cylinder Support O-ring, 500 & 14-Series	38022205244
46	MixRite 569 Chemical Cylinder O-ring	38023135246
55	Vinyl tubing, 8 ft, 3/8" ID	100.12L
65	Mounting Bracket	36030162765
Accessories		
	Pressure Regulator	38030200001
	3/4" Inline Strainer	50.41.1
	Anti Siphon Valve	36073008002
	3/4" NPTF Check Valve	57.20.8
	3/4" NPTF PVC Ball Valve	93.180.2

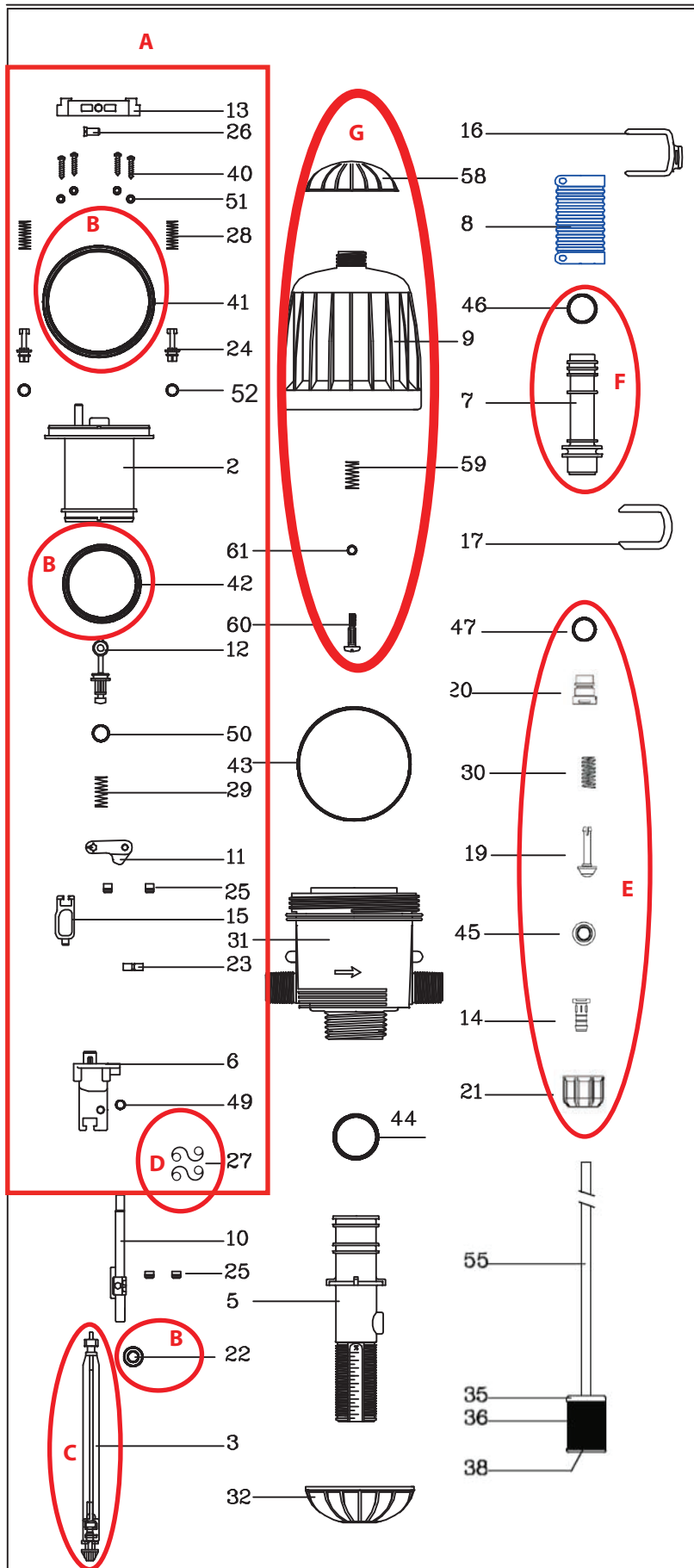
PART #: 569PVDFON/OFF



PART #: 569PVDFON/OFF

No.	Description	Kit/Part #
A	MixRite 569 Lip Seal Kit, LFR	36000000095
B	569 Piston connecting bar kit, with o-ring (.1-.9%)	36000000148
C	Engine Spring Kit	36000000191
D	Check Valve Kit	36000000147
E	Mixrite .1-.9% Chemical Cylinder and O-ring	36000000199
F	Engine Repair Kit, 569 MixRite	36000000136
G	On/Off Dome Cover	36000000174
5	569 1% Cylinder Support, No O-ring	36302012205
8	569 Adjustment Sleeve	36305003808
21	Check Valve nut	36307003234
22	MixRite 569 Chemical Piston Seal, Viton Extreme	36000030122
31	MixRite Body, 3/4" threads	36020019131
32	Cylinder Support Nut, (White)	36015014132
35, 36, 38	Suction Filter, w/ 10mm barb	36000000171
43	Dome Cover O-ring	38022430243
44	Cylinder Support O-ring, 500 & 14-Series	38022205244
46	MixRite 569 Chemical Cylinder O-ring	38023135246
	Mounting Bracket (Not Shown)	36030162765
Accessories		
	Pressure Regulator	38030200001
	3/4" Inline Strainer	50.41.1
	Anti Siphon Valve	36073008002
	3/4" NPTF Check Valve	57.20.8
	3/4" NPTF PVC Ball Valve	93.180.2

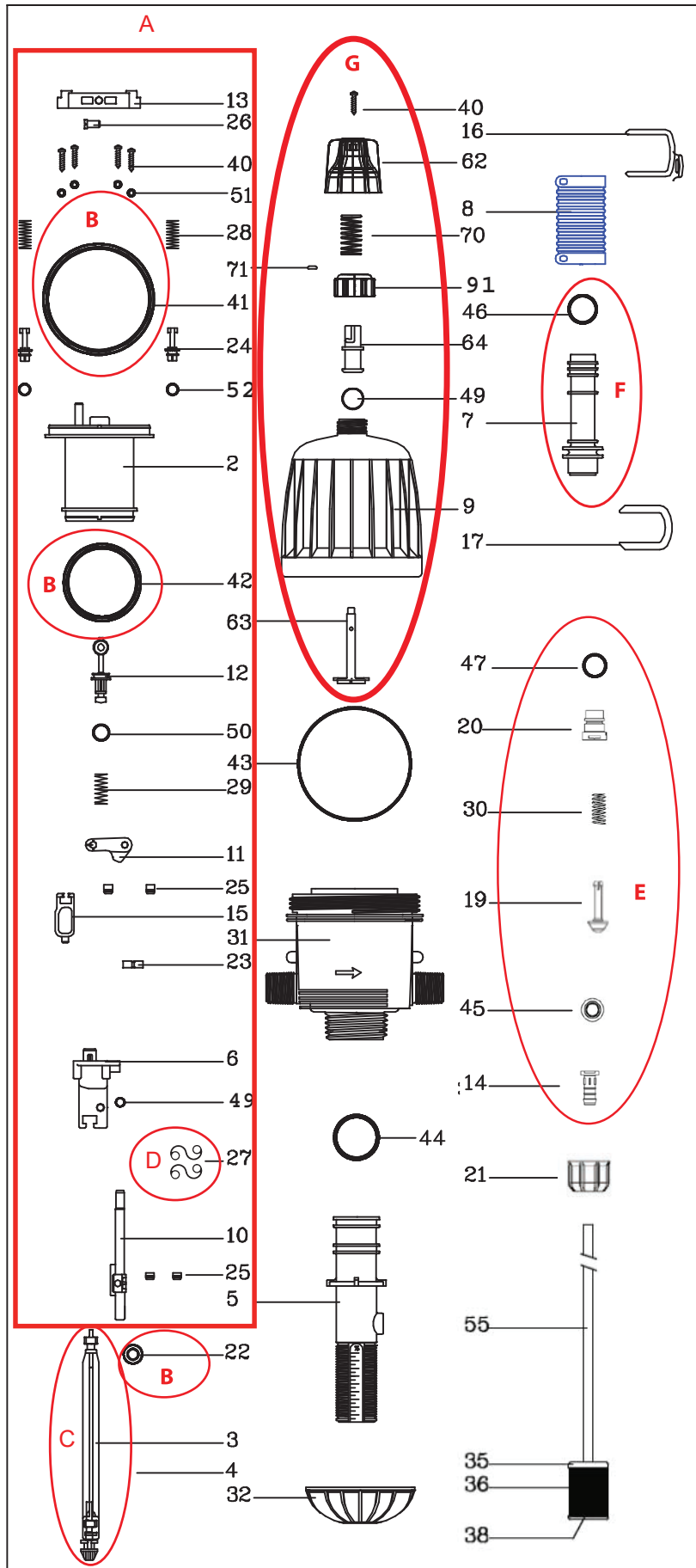
PART #: 570CW



PART #: 570CW

No.	Description	Kit/Part #
A	500 Series LFR Yellow Engine Replacement	36000000221
B	570 Lip Seal Kit, LFR, Yellow Engine	36000000204
	570 Lip Seal Kit, Old Unit	36000000032
C	570/ Connecting Bar and Piston, no o-ring	36008021103
D	Plastic Engine Spring Kit (includes 2 springs)	36000000191
E	Check Valve Kit	36000000258
F	MixRite 570 Chemical Cylinder Kit w/ O-ring	36000000172
G	500 Series, 14 Series Cover w/ Air release	36000000058
5	Cylinder Support 2%, Laser Engraved, No Orings	36013022205
8	Blue Adjustment Sleeve	36007018508
16	500 Series upper U-latch, Chemical sleeve	36030167916
17	500 Series lower U-latch, chemical sleeve	36030168017
21	Check Vale Nut, black	36012013221
22	Chemical Piston Seal, Viton (Part of Lip Seal Kit)	38000032022
28	Hastelloy Uper Engine Spring (one each; send two per unit)	38060797528
31	MixRite Body, 500 Series Grey Body 3/4" NPT Threads	36030162231
38	Suction Filter, 10 MM Barb	36000000171
43	500 Series Dome/Cover Oring	38022430243
44	Aflas Oring #44; Cylinder Support O-ring (2 per unit)	38022205244
46	Aflas Oring #46, Chemical Cylinder 2% models	38022110246
49	Aflas Oring #49	38021095176
52	Aflas Oring #52	38021085175
55	3/8" ID Vinyl Chemical Tubing, fits 10MM barb	100.12L
NOT SHOWN	Mounting Bracket, 500 Series	36030162765
Accessories		
	Pressure Regulator	38030200001
	3/4" Inline Strainer	50.41.1
	Anti Siphon Valve	36073008002
	3/4" NPTF Check Valve	57.20.8
	3/4" NPTF PVC Ball Valve	93.180.2

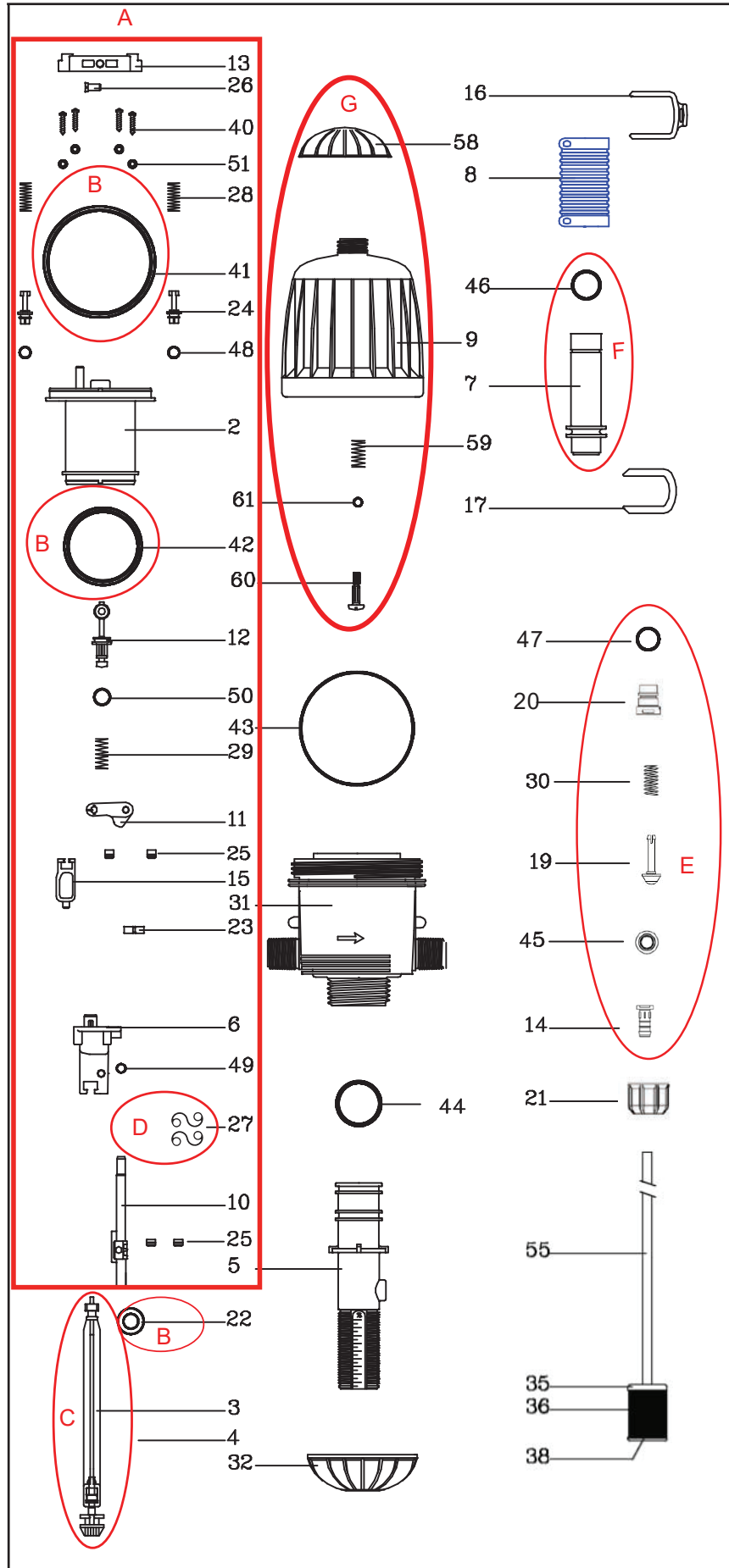
PART #: 571CW



PART #: 571CW

No.	Description	Kit/Part #
A	500 Series LFR Yellow Engine Replacement	36000000221
B	571 Lip Seal Kit, LFR, Yellow Engine	36000000204
	571 Lip Seal Kit, Old Unit	36000000032
C	571/ Connecting Bar and Piston, no o-ring	36008021103
D	Plastic Engine Spring Kit (includes 2 springs)	36000000191
E	Check Valve Kit	36000000258
F	MixRite 571 Chemical Cylinder Kit w/ O-ring	36000000172
G	500 Series Cover w/ ON/OFF	36300000044
5	Cylinder Support 2%, Laser Engraved, No Orings	36013022205
8	Blue Adjustment Sleeve	36007018508
16	500 Series upper U-latch, Chemical sleeve	36030167916
17	500 Series lower U-latch, chemical sleeve	36030168017
21	Check Vale Nut, black	36012013221
22	Chemical Piston Seal, Viton (Part of Lip Seal Kit)	38000032022
28	Hastelloy Uper Engine Spring (one each; send two per unit)	38060797528
31	MixRite Body, 500 Series Grey Body 3/4" NPT Threads	36030162231
38	Suction Filter, 10 MM Barb	36000000171
43	500 Series Dome/Cover Oring	38022430243
44	Aflas Oring #44; Cylinder Support O-ring (2 per unit)	38022205244
46	Aflas Oring #46, Chemical Cylinder 2% models	38022110246
47	Check Valve O-ring, Viton	38021140047
49	ORing #49 2-109 Aflas	38021095176
50	Oring, 10x3 Aflas, Engine Assembly	38001035250
52	Oring #52 2-108 Aflas	38021085175
55	3/8" ID Vinyl Chemical Tubing, fits 10MM barb	100.12L
NOT SHOWN	Mounting Bracket, 500 Series	36030162765

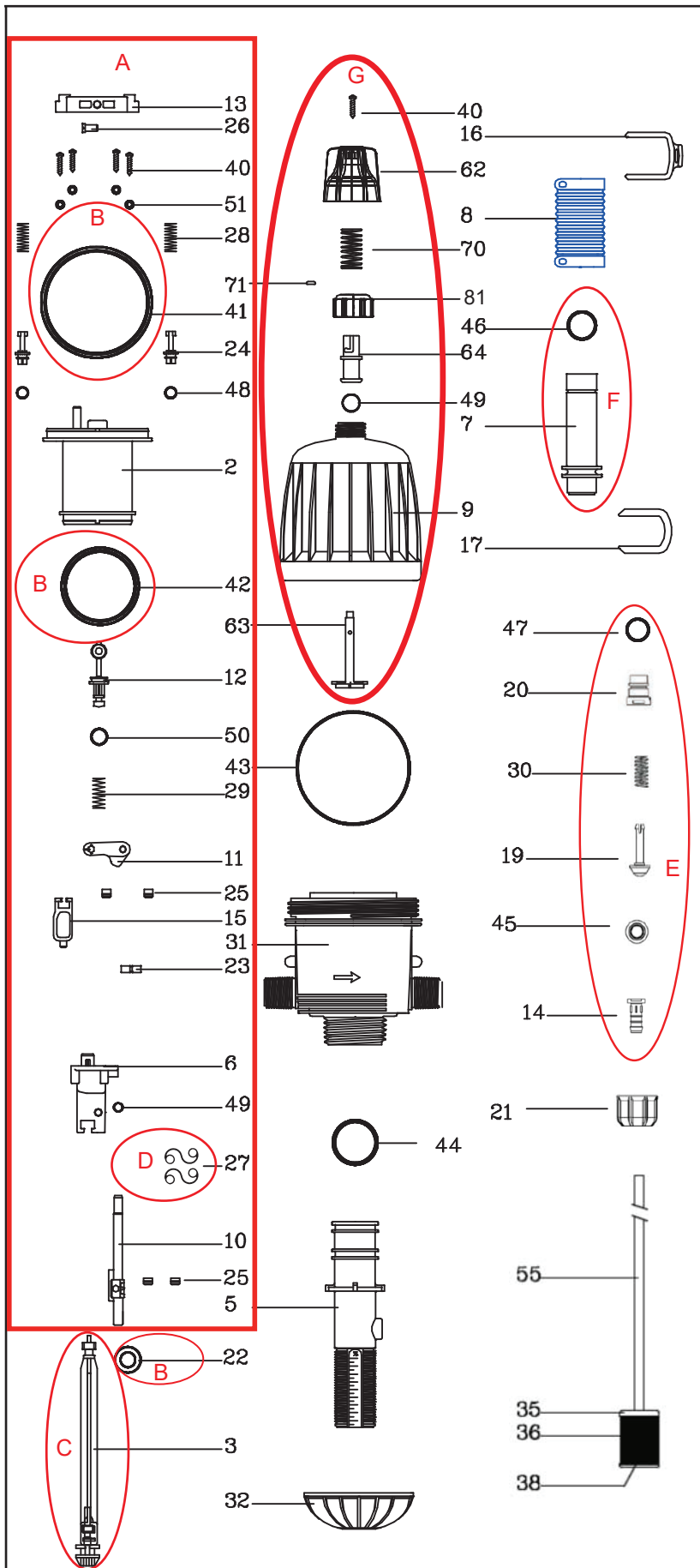
PART #: 572CW



PART #: 572CW

No.	Description	Kit/Part #
A	500 Series LFR Yellow Engine Replacement	36000000221
B	572 Lip Seal Kit, LFR, Yellow Engine	36000000205
	572 Lip Seal Kit, Old Unit	36000000031
C	572/ Connecting Bar and Piston, no o-ring	36008041103
D	Plastic Engine Spring Kit (includes 2 springs)	36000000191
E	Check Valve Kit	36000000258
F	MixRite 572 Chemical Cylinder Kit w/ O-ring	36000000173
G	500 Series Cover w/ Air Release	36000000058
5	Cylinder Support 4%, Laser Engraved, No Orings	36013042205
8	Blue Adjustment Sleeve	36007018508
16	500 Series upper U-latch, Chemical sleeve	36030167916
17	500 Series lower U-latch, chemical sleeve	36030168017
21	Check Vale Nut, black	36012013221
22	Chemical Piston Seal, Viton (Part of Lip Seal Kit)	38000032022
28	Hastelloy Uper Engine Spring (one each; send two per unit)	38060797528
31	MixRite Body, 500 Series Grey Body 3/4" NPT Threads	36030162231
38	Suction Filter, 10 MM Barb	36000000171
43	500 Series Dome/Cover Oring	38022430243
44	Aflas Oring #44; Cylinder Support O-ring (2 per unit)	38022205244
46	Aflas Oring #46, Chemical Cylinder 4% models	38022115146
47	Chemical Cylinder O-ring, Aflas	38022110246
48	Oring #48 2-108 Aflas	38021085175
50	Oring, 10x3 Aflas, Engine Assembly	38001035250
55	3/8" ID Vinyl Chemical Tubing, fits 10MM barb	100.12L
NOT SHOWN	Mounting Bracket, 500 Series	36030162765

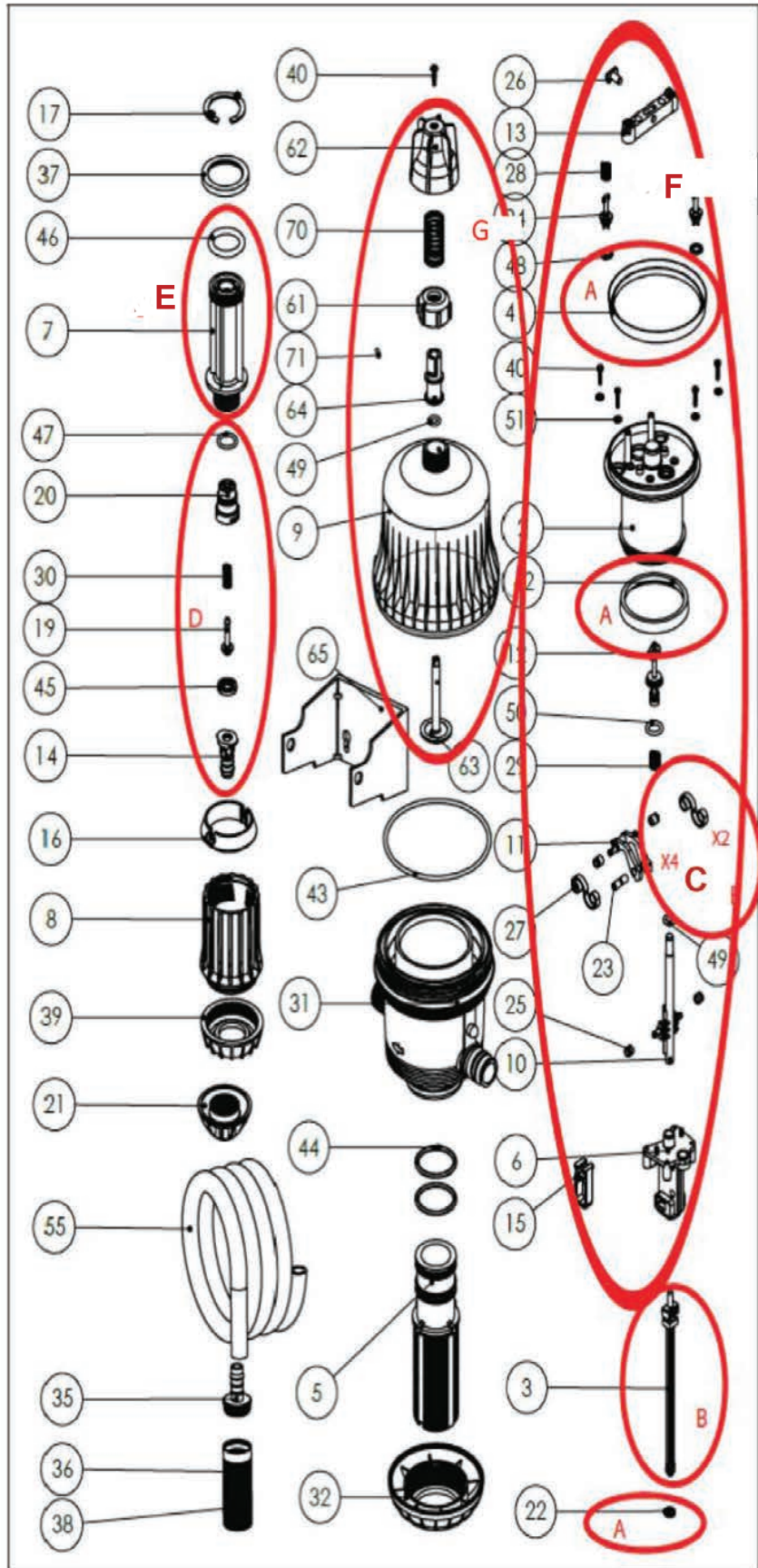
PART #: 573CW



PART #: 573CW

No.	Description	Kit/Part #
A	500 Series LFR Yellow Engine Replacement	36000000221
B	573 Lip Seal Kit, LFR, Yellow Engine	36000000205
	573 Lip Seal Kit, Old Unit	36000000031
C	573/ Connecting Bar and Piston, no o-ring	36008041103
D	Plastic Engine Spring Kit (includes 2 springs)	36000000191
E	Check Valve Kit	36000000258
F	MixRite 573 Chemical Cylinder Kit w/ O-ring	36000000173
G	500 Series Cover w/ ON/OFF	36300000044
5	Cylinder Support 4%, Laser Engraved, No Orings	36013042205
8	Blue Adjustment Sleeve	36007018508
16	500 Series upper U-latch, Chemical sleeve	36030167916
17	500 Series lower U-latch, chemical sleeve	36030168017
21	Check Vale Nut, black	36012013221
22	Chemical Piston Seal, Viton (Part of Lip Seal Kit)	38000032022
28	Hastelloy Uper Engine Spring (one each; send two per unit)	38060797528
31	MixRite Body, 500 Series Grey Body 3/4" NPT Threads	36030162231
38	Suction Filter, 10 MM Barb	36000000171
43	500 Series Dome/Cover Oring	38022430243
44	Aflas Oring #44; Cylinder Support O-ring (2 per unit)	38022205244
46	Aflas Oring #46, Chemical Cylinder 4% models	38022115146
47	Check Valve O-ring, Viton	38021140047
48	Oring #48 2-108 Aflas	38021085175
50	Oring, 10x3 Aflas, Engine Assembly	38001035250
55	3/8" ID Vinyl Chemical Tubing, fits 10MM barb	100.12L
NOT SHOWN	Mounting Bracket, 500 Series	36030162765

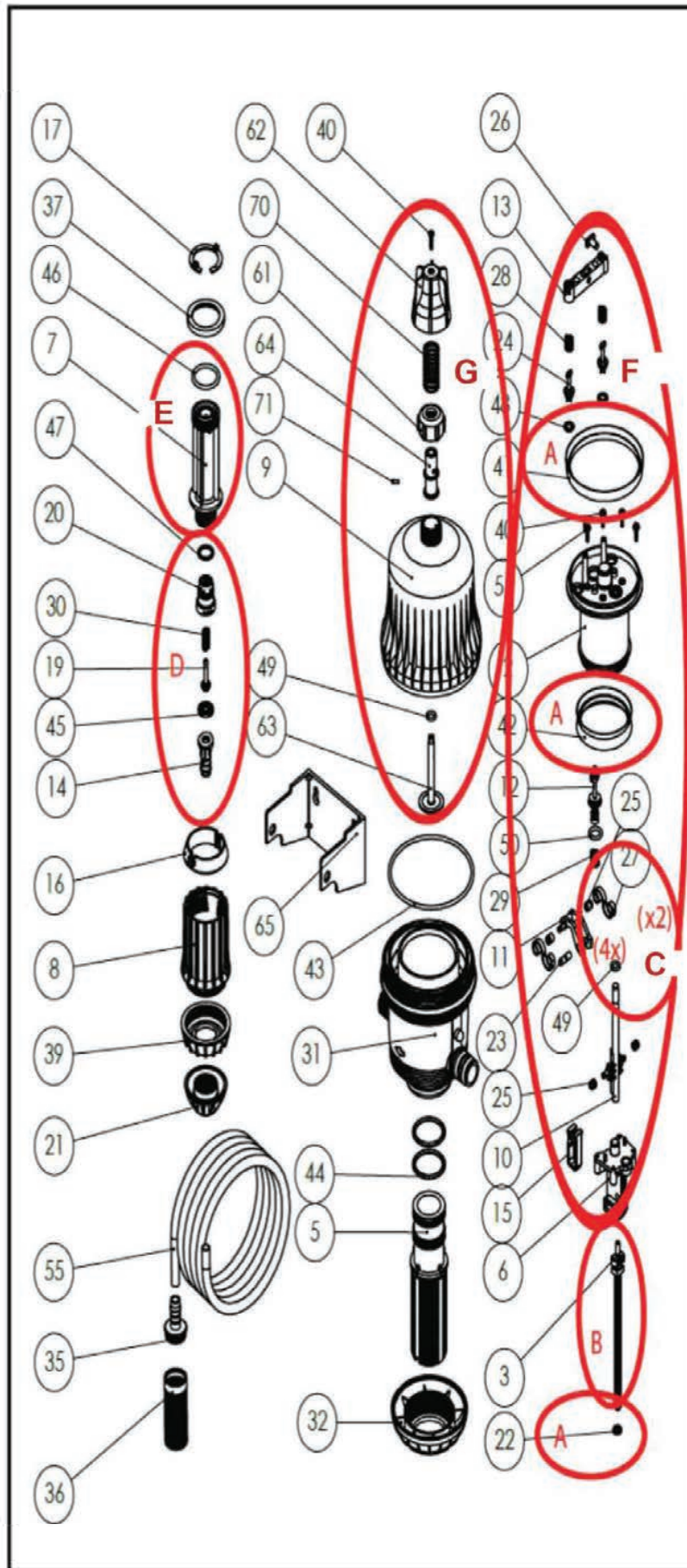
PART #: 1401



PART #: 1401

No.	Description	Kit/Part #
A	MixRite 569/1401 Lip Seal Kit, LFR	36000000210
B	1401 Piston connecting bar kit, with o-ring (.1-.9%)	36300000016
C	Engine Spring Kit	36000000191
D	Check Valve Kit	36000000258
E	Mixrite .1-.9% 14GPM, Chemical Cylinder and O-ring	36300000017
F	Engine Repair Kit, 14-Series MixRite	36300000019
G	On/Off Dome Cover	36300000044
	Air Release Dome Cover	36300000058
5	Mixrite 1401 1% Cylinder Support, No O-ring	36302012205
8	14-Series Adjustment Sleeve	36305003808
16	14-Series Mixrite Adjustment Sleeve Scale Insert	36316003966
17	14-Series MixRite Chemical Cylinder Clip	36317001167
21	14-Series Check Valve nut	36307003234
22	MixRite 569/1401 Chemical Piston Seal, Viton Extreme	36000030122
31	MixRite Body, 14-Series, 3/4" threads	36030162231
32	Cylinder Support Nut, 14-Series/500-Series	36030161532
35, 36, 38	Suction Filter, w/ 10mm barb	36000000171
37	14-Series MixRite Chemical Cylinder Spacer	36315003176
39	14-Series Latch Nut for Adjustment Sleeve	36306003139
43	Dome Cover O-ring	38022430243
44	Cylinder Support O-ring, 500 & 14-Series	38022205244
46	MixRite 569/1401 Chemical Cylinder O-ring	38023135246
47	Check Valve O-ring, Viton	38021140047
48	Oring #48 2-108 Aflas	38021085175
49	ORing #49 2-109 Aflas	38021095176
50	Oring, 10x3 Aflas, Engine Assembly	38001035250
55	Vinyl tubing, 8 ft, 3/8" ID	100.12L
65	Mounting Bracket	36030162765

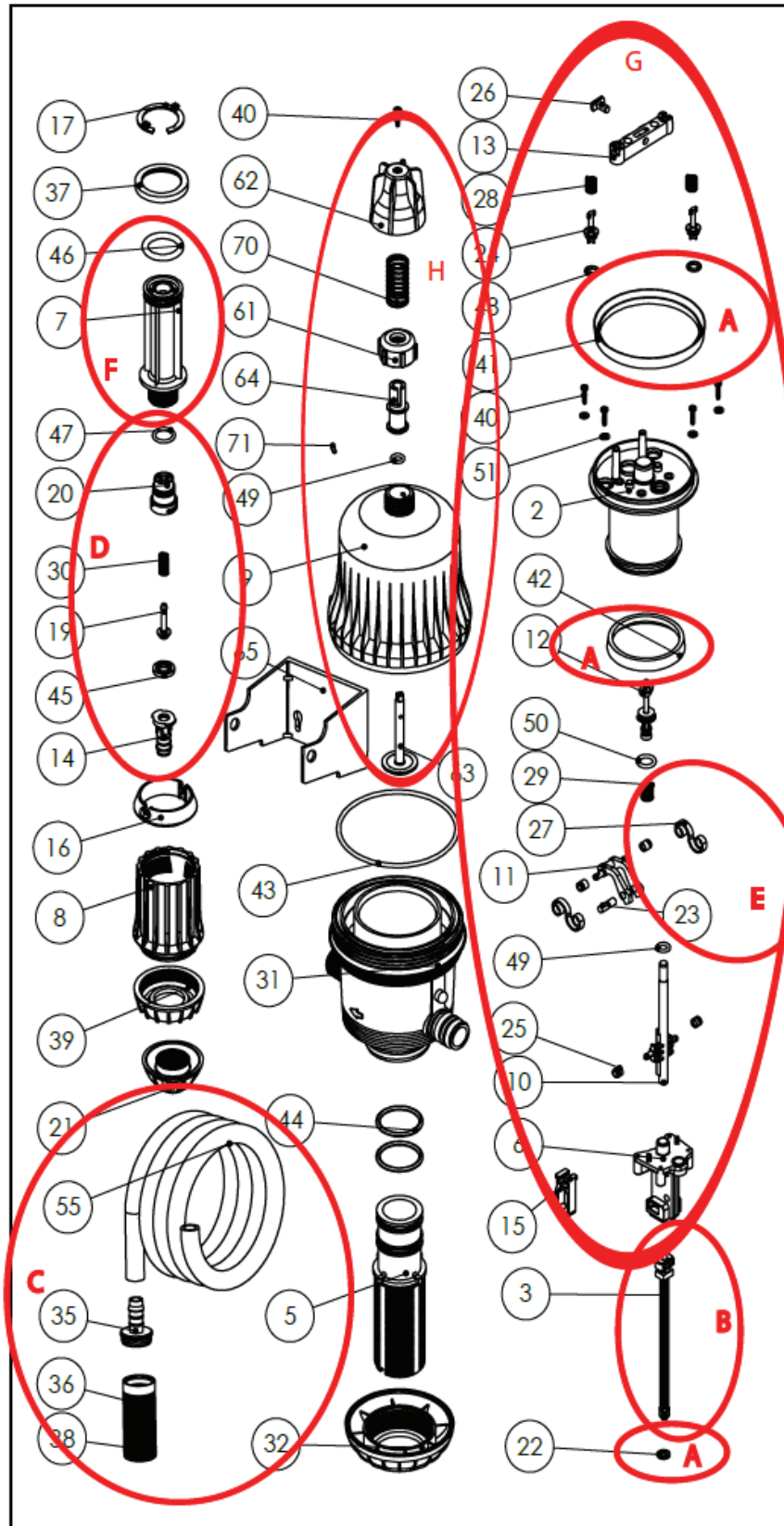
PART #: 1402



PART #: 1402

No.	Description	Kit/Part #
A	Lip Seal Kit, 2% Models, 14GPM, LFR (1402)	36000000204
B	14-Series Connecting Bar/Piston Kit w/O-ring (1402)	36300000014
C	Engine Spring Kit	36000000191
D	Check Valve Kit	36000000258
E	14-Series 2% Suction Cylinder Kit (1402), w/ O-ring	36300000018
F	Engine Repair Kit, 14-Series MixRite	36300000019
G	On/Off Dome Cover (1402M)	36300000044
	Air Release Dome Cover (1402A)	36300000058
5	Mixrite 1402 Cylinder Support, No O-ring	36302022205
8	14-Series Adjustment Sleeve	36305003808
16	14-Series Mixrite Adjustment Sleeve Scale Insert	36316003966
17	14-Series MixRite Chemical Cylinder Clip	36317001167
21	14-Series Check Valve nut	36307003234
22	Chemical Piston Seal	38000032022
31	MixRite Body, 14-Series, 3/4" threads	36030162231
32	Cylinder Support Nut, 14-Series/500-Series	36030161532
35, 36	Suction Filter, w/ 10mm barb	36000000171
37	14-Series MixRite Chemical Cylinder Spacer	36315003176
39	14-Series Latch Nut for Adjustment Sleeve	36306003139
43	Dome Cover O-ring	38022430243
44	Cylinder Support O-ring, 500 & 14-Series	38022205244
46	1402 Chemical Cylinder O-ring	38022175246
47	Check Valve O-ring, Viton	38021140047
48	Oring #48 2-108 Aflas	38021085175
49	ORing #49 2-109 Aflas	38021095176
50	Oring, 10x3 Aflas, Engine Assembly	38001035250
55	Vinyl tubing, 8 ft, 3/8" ID	100.12L
65	Mounting Bracket	36030162765

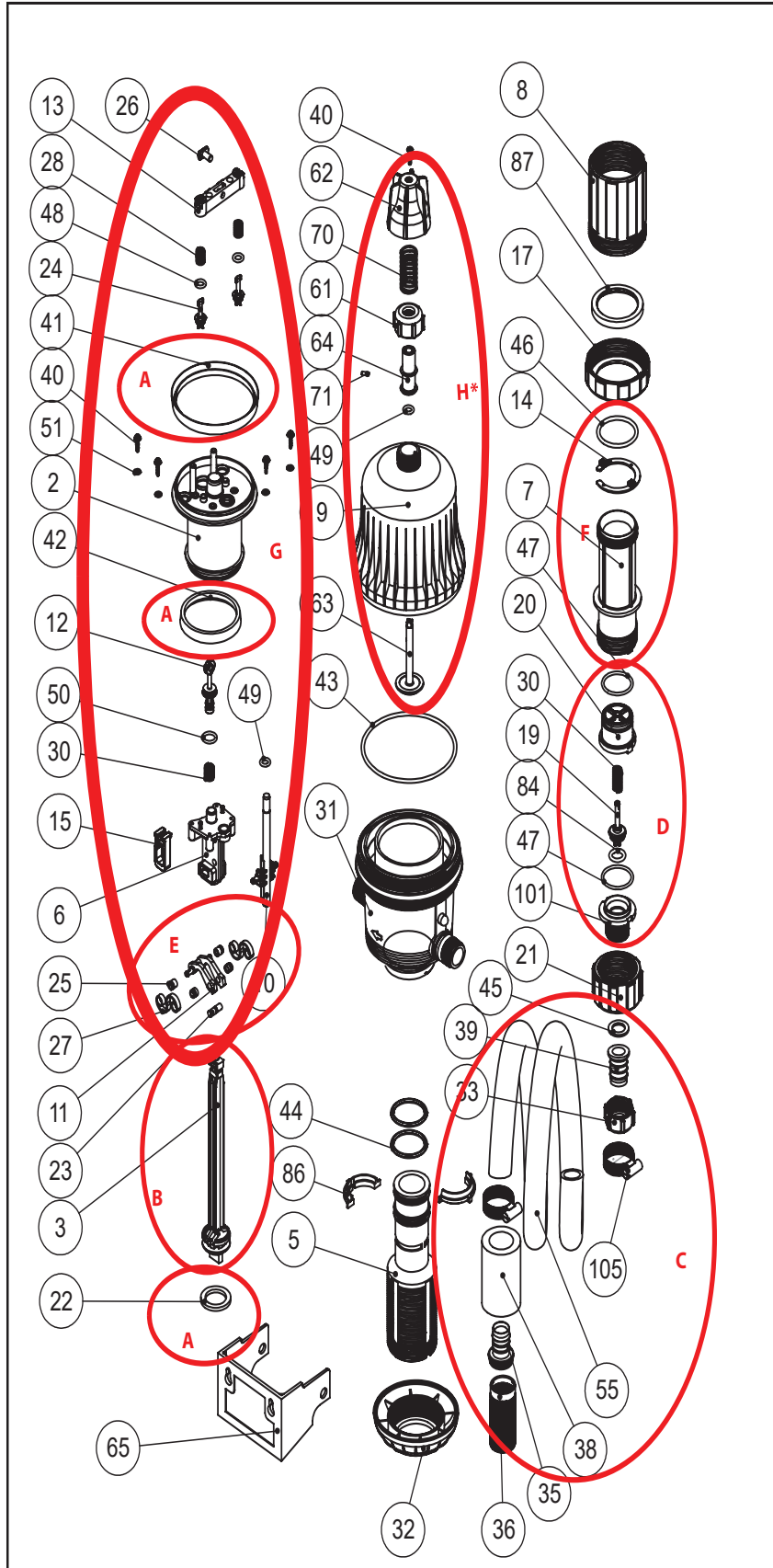
PART #: 1405



PART #: 1405

No.	Description	Kit/Part #
A	Lip Seal Kit, 5% Models, 14GPM, LFR (1405)	36000000204
B	14-Series Connecting Bar/Piston Kit w/O-ring (1405)	36300000003
C	Suction Tube Kit - 1/2" ID tube & Strainer	36000000021
D	Check Valve Kit	36000000263
E	Engine Spring Kit	36000000191
F	14-Series 5% Suction Cylinder Kit (1405), w/ O-ring	36300000005
G	Engine Repair Kit, 14-Series MixRite	36300000019
H	On/Off Dome Cover	36300000044
	Air Release Dome Cover	36300000058
5	Mixrite 1405 Cylinder Support, No O-ring	36302051205
8	14-Series Adjustment Sleeve	36305003808
16	14-Series Mixrite Adjustment Sleeve Scale Insert	36316003966
17	14-Series MixRite Chemical Cylinder Clip	36317001167
21	14-Series Check Valve nut	36307003234
22	Chemical Piston Seal, 1405	38000032022
31	MixRite Body, 14-Series, 3/4" threads	36030162231
32	Cylinder Support Nut, 14-Series/500-Series	36030161532
37	14-Series MixRite Chemical Cylinder Spacer	36315003176
39	14-Series Latch Nut for Adjustment Sleeve	36306003139
43	Dome Cover O-ring	38022430243
44	Cylinder Support O-ring, 500 & 14-Series	38022205244
46	1402 Chemical Cylinder O-ring	38022175246
47	Check Valve O-ring, Viton	38021140047
48	Oring #48 2-108 Aflas	38021085175
49	ORing #49 2-109 Aflas	38021095176
50	Oring, 10x3 Aflas, Engine Assembly	38001035250
65	Mounting Bracket	36030162765

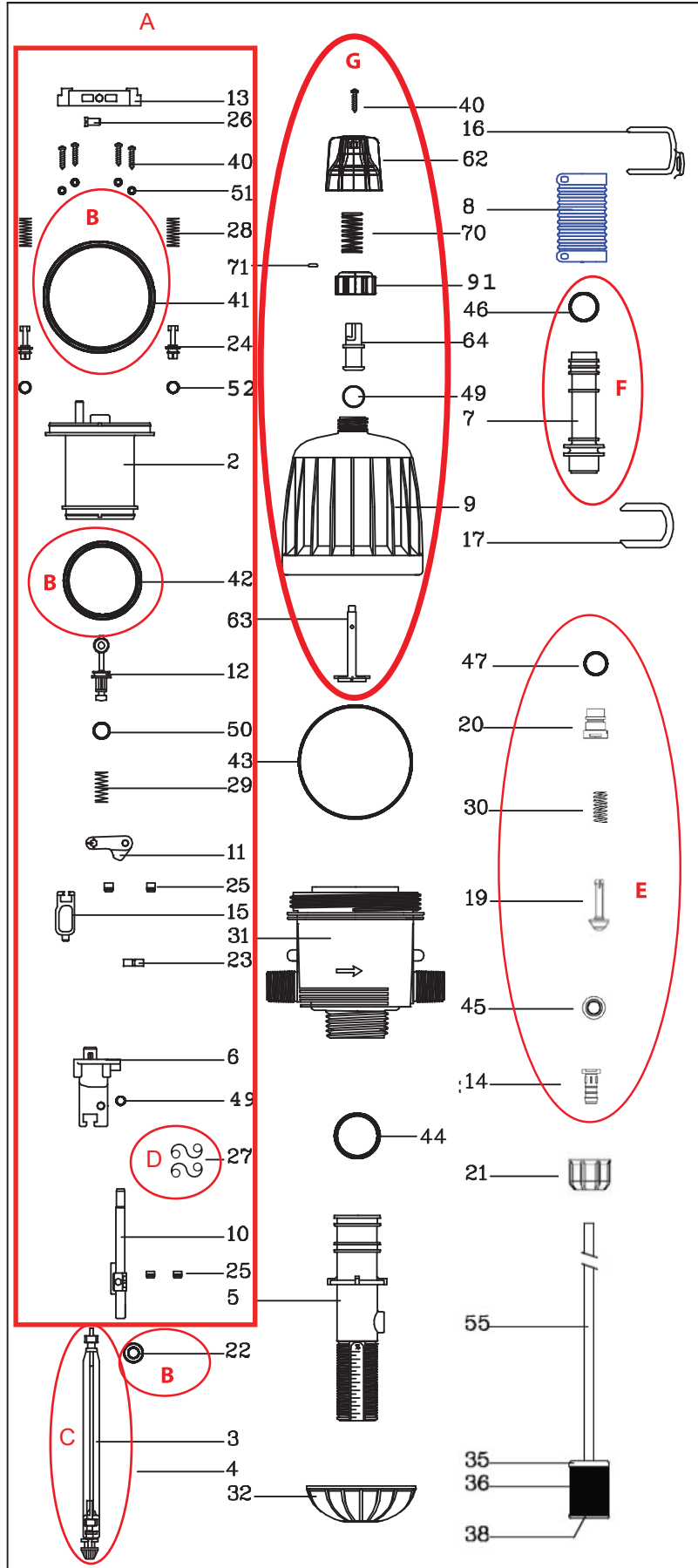
PART #: 1410



PART #: 1410

No.	Description	Kit/Part #
A	Lip Seal Kit	36000000213
B	Bar & Piston Kit	36300000008
C	Suction Tube Kit	36000000028
D	Check Valve Kit	35200000059
E	Engine Spring Kit	36000000191
F	Chemical Cylinder	36000000178
G	LFR Engine Kit	36300000019
H	On/Off Dome Cover	36300000044
	Air Release Dome Cover	36300000058
5	Support Cylinder	36030010305
8	Adjustment Sleeve	36030181708
17	Latch Nut	36030162217
21	Check Valve Nut	36030622100
22	Piston Seal Viton Extreme	36000031022
31	MixRite Body, 3/4" threads	36030162231
32	Cylinder Support Nut	36030161532
39	19mm Hose Barb	32454759122
65	Mounting Bracket	36030162765
87	Adjustment Nut Adapter	36019013376
Accessories		
	Pressure Regulator	38030200001
	3/4" Inline Strainer	50.41.1
	Anti Siphon Valve	36073008002
	3/4" NPTF Check Valve	57.20.8
	3/4" NPTF PVC Ball Valve	93.180.2

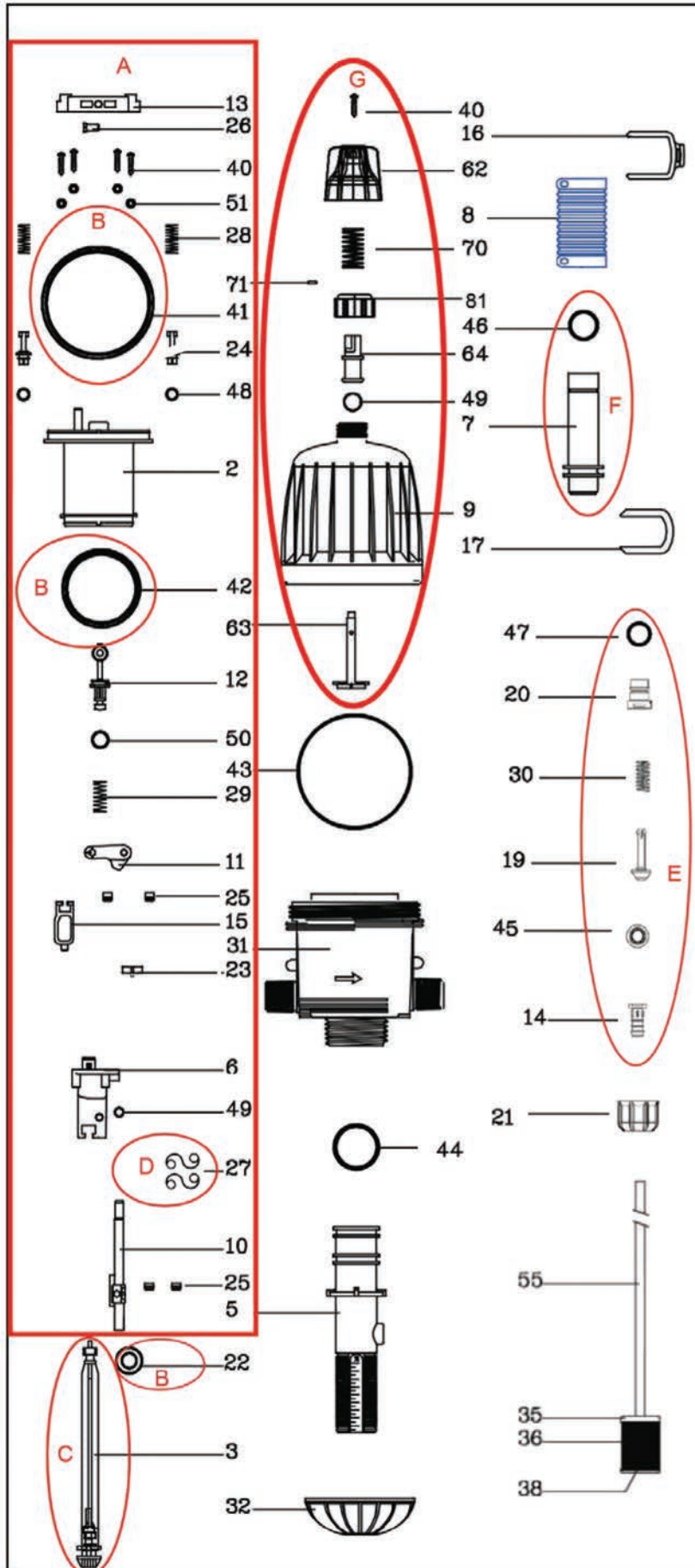
PART #: TF3.002ON/OFF



PART #: TF3.002ON/OFF

No.	Description	Kit/Part #
A	500 Series LFR Yellow Engine Replacement	36000000221
B	TF3 Lip Seal Kit, LFR, Yellow Engine	36000000204
C	TF3/ Connecting Bar and Piston, no o-ring	36008021103
D	Plastic Engine Spring Kit (includes 2 springs)	36000000191
E	Check Valve Kit	36000000258
F	MixRite TF3 Chemical Cylinder Kit w/ O-ring	36000000172
G	500 Series Cover w/ ON/OFF	36300000044
5	Cylinder Support 2%, Laser Engraved, No Orings	36013022205
8	Blue Adjustment Sleeve	36007018508
16	500 Series upper U-latch, Chemical sleeve	36030167916
17	500 Series lower U-latch, chemical sleeve	36030168017
21	Check Vale Nut, black	36012013221
22	Chemical Piston Seal, Viton (Part of Lip Seal Kit)	38000032022
28	Hastelloy Uper Engine Spring (one each; send two per unit)	38060797528
31	MixRite Body, TF3 Series Grey Body 1" NPT Threads	36020161331
38	Suction Filter, 10 MM Barb	36000000171
43	500 Series Dome/Cover Oring	38022430243
44	Aflas Oring #44; Cylinder Support O-ring (2 per unit)	38022205244
46	Aflas Oring #46, Chemical Cylinder 2% models	38022110246
55	3/8" ID Vinyl Chemical Tubing, fits 10MM barb	100.12L
49, 52 (2), 47, 46, 8	Aflas Oring Kit, with Blue Sleeve	57.K02.005CW
NOT SHOWN	Mounting Bracket, 500 Series	36030162765

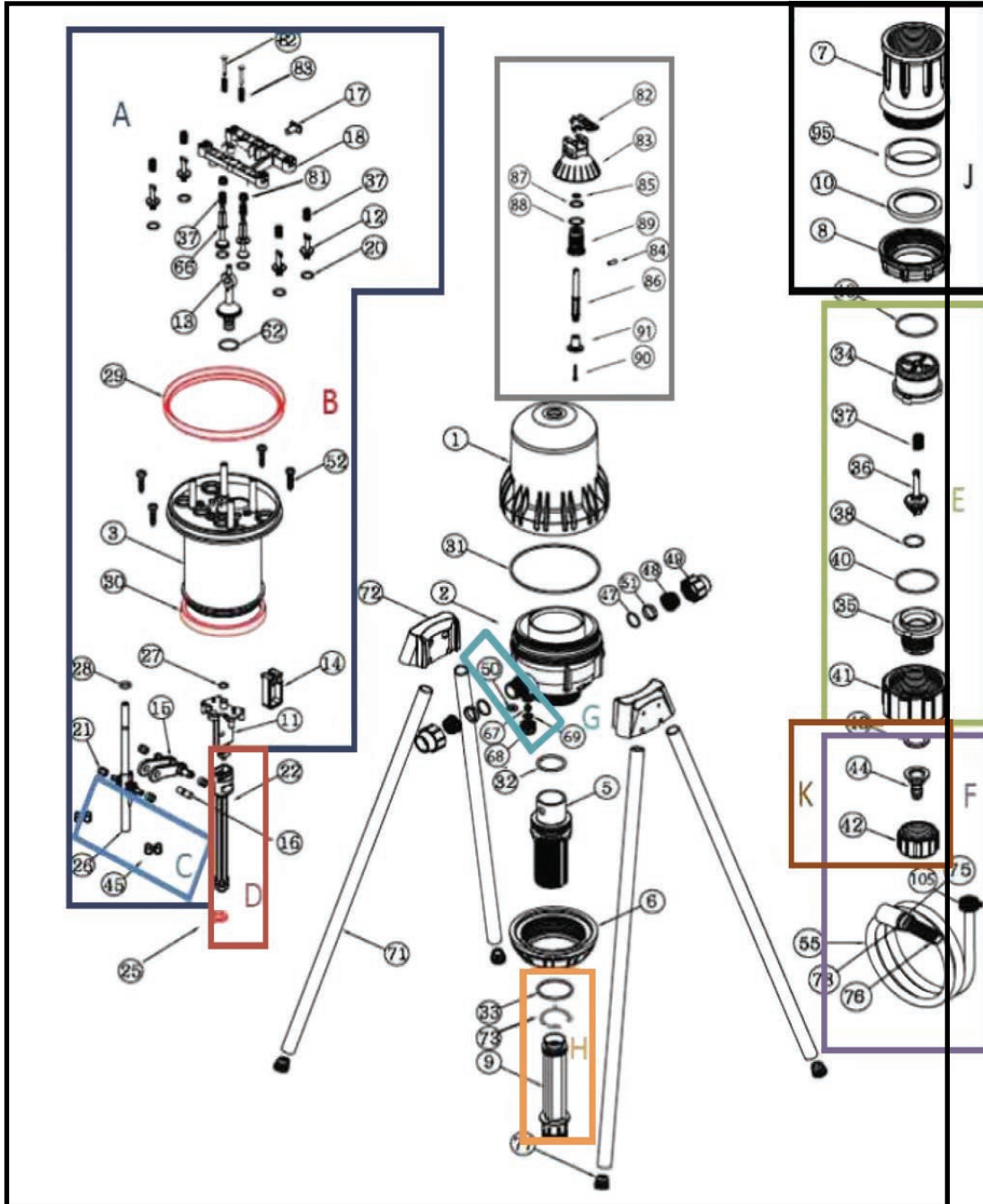
PART #: TF3.004ON/OFF



PART #: TF3.004ON/OFF

No.	Description	Kit/Part #
A	500 Series LFR Yellow Engine Replacement	36000000221
B	TF3 Lip Seal Kit, LFR, Yellow Engine	36000000205
C	TF3/ Connecting Bar and Piston, no o-ring	36008041103
D	Plastic Engine Spring Kit (includes 2 springs)	36000000191
E	Check Valve Kit	36000000258
F	MixRite TF3 Chemical Cylinder Kit w/ O-ring	36000000173
G	500 Series Cover w/ ON/OFF	36300000044
5	Cylinder Support 4%, Laser Engraved, No Orings	36013042205
8	Blue Adjustment Sleeve	36007018508
16	500 Series upper U-latch, Chemical sleeve	36030167916
17	500 Series lower U-latch, chemical sleeve	36030168017
21	Check Vale Nut, black	36012013221
22	Chemical Piston Seal, Viton (Part of Lip Seal Kit)	38000032022
28	Hastelloy Uper Engine Spring (one each; send two per unit)	38060797528
31	MixRite Body, TF3 Series Grey Body 1" NPT Threads	36020161331
38	Suction Filter, 10 MM Barb	36000000171
43	500 Series Dome/Cover Oring	38022430243
44	Aflas Oring #44; Cylinder Support O-ring (2 per unit)	38022205244
46	Aflas Oring #46, Chemical Cylinder 4% models	38022115146
55	3/8" ID Vinyl Chemical Tubing, fits 10MM barb	100.12L
49, 52 (2), 47, 46, 8	Aflas Oring Kit, with Blue Sleeve	57.K04.0123CW
NOT SHOWN	Mounting Bracket, 500 Series	36030162765

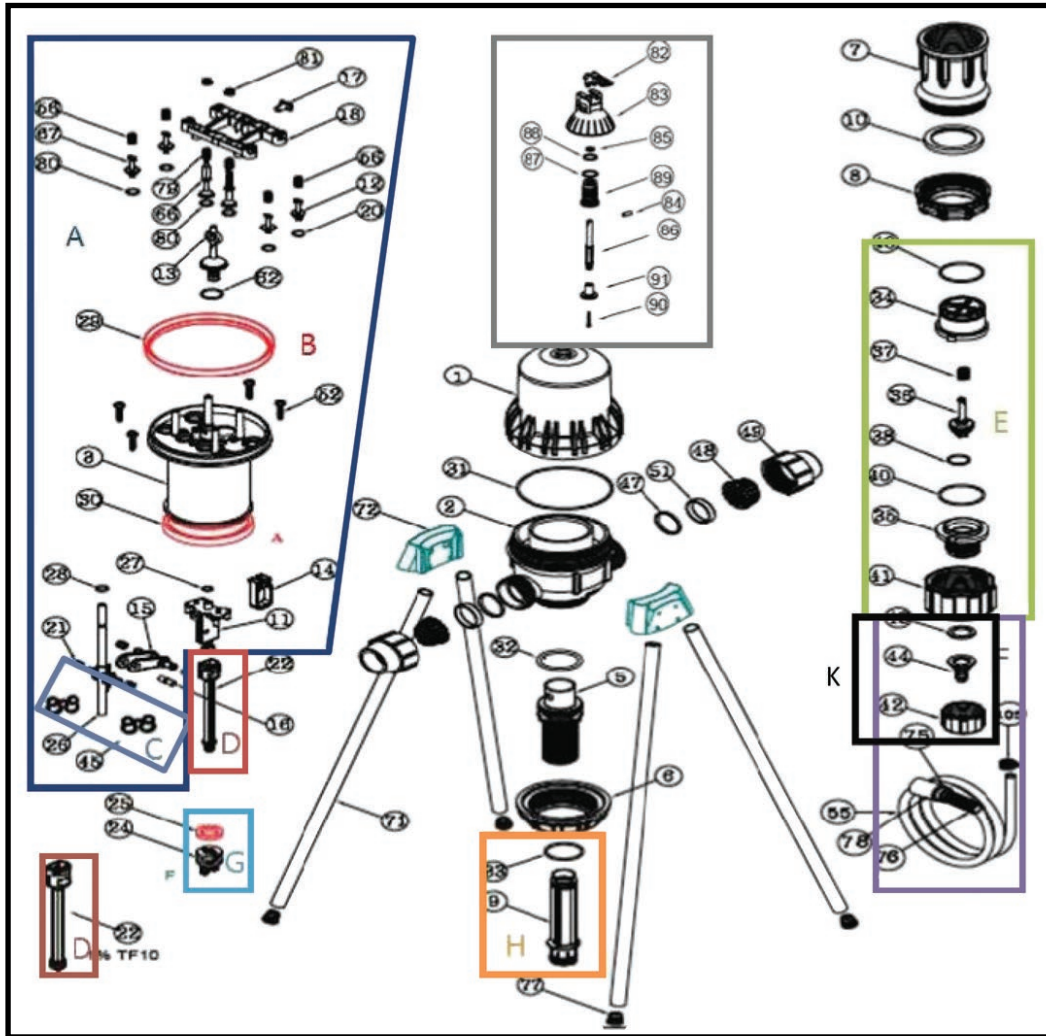
PART #:TF.5.001CL.PAAON/OFF
TF.5.002ON/OFF
TF.5.005ON/OFF



**PART #:TF.5.001CL.PAAON/OFF
TF.5.002ON/OFF
TF.5.005ON/OFF**

NO.	DESCRIPTION	PART #
A	TF5 Engine Assembly	35200000006
B	TF5 1% Lip Seal Kit, with Piston Seal	35200000001
	TF5 2% Lip Seal Kit, with Piston Seal	35200000002
	TF5 5% Lip Seal Kit, with Piston Seal	35200000005
C	Plastic Engine Spring Kit, TF5 TF10	35100000045
D	TF5 Chemical Piston Seal 1% - Kit - w/ connecting rod	35200000019
	TF5 Chemical Piston Seal 2% - Kit - w/ connecting rod	35200000020
	TF5 Chemical Piston Seal 5% - Kit - w/ connecting rod	35200000021
E	Check Valve Kit, 19 MM Barb - 1410, TF5, TF10	35200000059
F	Suction Tube Kit, 1% and 2% models	36000000021
	5% Suction Tube Kit w/ weight, strainer, 1410, TF10	36000000028
G	TF5 anti-siphon kit	352260.9999
H	TF5 Suction Cylinder Kit, 1%, w/ o-ring	35200000009
	TF5 Suction Cylinder Kit, 2% w/ o-ring	35200000011
	TF5 Suction Cylinder Kit, 5% w/o-ring	35200000012
I	TF5, TF10, TF25 On/Off Lever Assembly Kit	35000000348
J	TF5 Adjustment Collar and Nut Kit	35200000028
K	12MM Hose Barb Kit, 1% and 2% models	22454752122
44	19MM Hose Barb Only, 5% models.	32454759122
	TF5 EDPM O-ring Kit	35200000057
1	TF5 Cover/Dome	35201011301
2	TF5 Body, 1" NPT	35202031302
5	TF5 Cylinder Support - 1% (no o-ring)	35204012305
	TF5 Cylinder Support - 2% (no o-ring)	35204022305
	TF5 Cylinder Support - 5% (no o-ring)	35204052305
6	Cylinder Support Nut	35205011806
7	Adjustment Sleeve	35207011807
8	Latch Nut	35208011808
10	Cylinder Support Spacer	35217013110
30	TF5 Lower Piston Dual Lip Seal	35290012230
31	TF5 Dome Oring	38023562231
33	MIXRITE TF 5.001 CHEMICAL CYLINDER O-RING 2-321 FOR 1% MODEL	38023212233
	MIXRITE TF 5.005 CHEMICAL CYLINDER O-RING 2-219, 2% and 5%	38022192233
	Cylinder Support O-ring (BUNA)	38050072232
	Cylinder Support O-ring (EPDM)	38050073232
41	Check Valve Nut	36030622100
71	Stand Legs - send 4 per unit	38000004171
72	Blue Bracket for Legs	35125011872
73	Guide Ring, Cylinder Support	35228011168
Not Shown	Foot valve for viscous Products 1/2", 3/4" barb (1% and 2% models)	57.12FTV
	Foot valve for viscous Products 1" barb (5% models)	57.34FTV

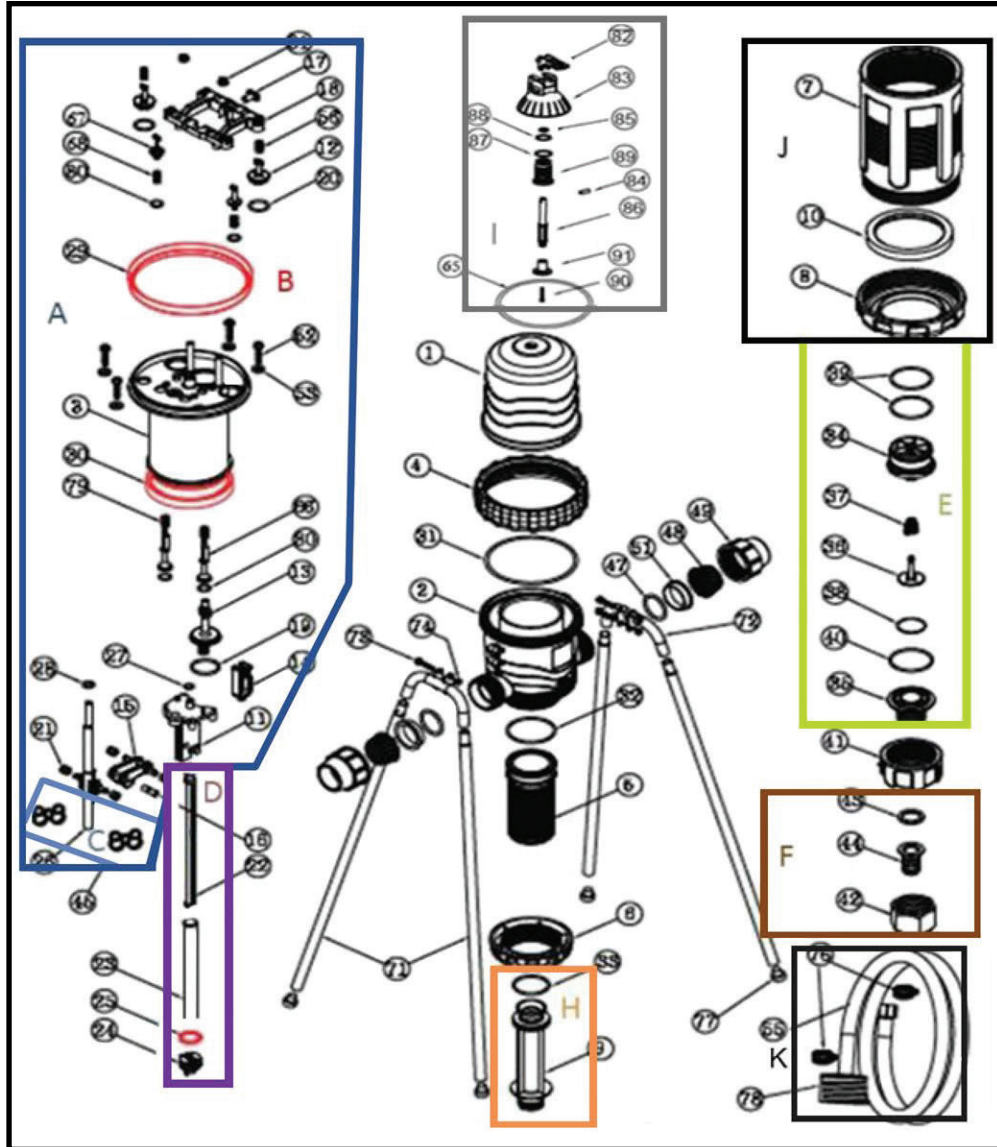
PART #:TF.10.001CL.PAAON/OFF
TF.10.002ON/OFF
TF.10.005ON/OFF



**PART #:TF.10.001CL.PAAON/OFF
TF.10.002ON/OFF
TF.10.005ON/OFF**

NO.	DESCRIPTION	PART #
A	TF10 Engine Assembly Kit	35100000053
B	TF10 - 1% Seal Kit	35100000001
	TF10 - 2% Seal Kit	35100000002
	TF10 - 5% Seal Kit	35100000005
C	MixRite Plastic Engine Spring Kit (2 per kit)	35100000045
D	TF10 Piston Bar	35122013122
E	TF10 Chemical Check Valve Kit	35200000059
F	TF10 Suction Tube Kit	36000000028
G	TF10 - 1% Suction Piston Kit, w/ Oring	35100000019
	TF10 - 2% Suction Piston kit, w/ Oring	35100000020
	TF10 - 5% Suction Piston kit w/ Oring	35100000021
H	TF10 - 1% Suction Cylinder Kit, w/ Oring	35100000009
	TF10 - 2% Suction Cylinder kit w/ Oring	35100000011
	TF10 - 5% Suction Cylinder Kit w/ Oring	35100000012
I	TF5,10,25 On/Off Lever Assembly Kit	35000000348
J	TF10 1% & 2% Adjustment Collar and Nut	35100000031
	TF10 5% Adjustment Collar and Nut	35100000032
K	12MM Hose Barb Kit, 1% and 2% models	22454752122
44	19MM Hose Barb Only, 5% models.	32454759122
1	TF10 Dome/Cover	35100000022
2	TF10 Body with 1.5" NPT Threads	35102081302
5	TF10 - 1% Cylinder Support, without O-ring	35104012304
	TF10 - 2% Cylinder Support, without O-ring	35104022304
	TF10 - 5% Cylinder Support, without O-ring	35104052304
6	TF10 Cylinder Support Nut	35105011806
31	TF10 Dome O-ring #31	38023622231
32	TF10 Cylinder Support Oring #32, EPDM	38023342332
33	TF10 Chemical Cylinder O-ring, EPDM	36023243233
41	TF5, TF10 Black Check Valve Nut	36030622100
71	Stand Legs - send 4 per unit	38000004171
72	Blue Bracket for Legs	35125011872
Not Shown	Foot valve for viscous Products 1/2", 3/4" barb (1% and 2% models)	57.12FTV
	Foot valve for viscous Products 1" barb (5% models)	57.34FTV

PART #:TF.25.001CL.PAAON/OFF
TF.25.002ON/OFF
TF.25.005ON/OFF



**PART #:TF.25.001CL.PAAON/OFF
TF.25.002ON/OFF
TF.25.005ON/OFF**

NO.	DESCRIPTION	PART #
A	TF25 Complete Engine Kit	35000000005
B	TF25 - 1% Lip Seal Kit	35000000008
	TF25 - 2% Lip Seal Kit	35000000002
	TF25 - 5% Lip Seal Kit	35000000003
C	TF25 Engine Spring Kit	35000000045
D	TF25 -1% Suction Piston kit, w/ oring	35000000019
	TF25 - 2% Suction Piston kit, w/ oring	35000000020
	TF25 - 5% Suction Piston kit, w/ oring	35000000021
E	TF25 Chemical Check Valve Kit 1% & 2%	35000000022
	TF25 Chemical Check Valve Kit 5%	35000000004
F	TF25 Suction Hose Connector Kit	25.166
H	TF25 - Suction Cylinder kit, 1%, w/ oring	35000000009
	TF25 - Suction Cylinder kit, 2% w/ oring	35000000011
	TF25 - Suction Cylinder kit, 5% w/ oring	35000000012
I	Universal ON/OFF lever assembly kit	35000000348
J	TF25 - 1% Adjustment Collar and Nut Kit	35000000032
	TF25 - 2% Adjustment Collar and Nut Kit	35000000033
	TF25 - 5% Adjustment Collar and Nut Kit	35000000034
K	TF25 Suction Hose Kit	35000000049
1	TF25 Cover	35001001301
2	TF25 Body, 2" NPT	35002161302
4	TF25 Cover Nut for Body and Dome	35004001804
5	TF25 - 1% Cylinder Support, No Oring	35005013305
	TF25 - 2% Cylinder Support, No Oring	35005023305
	TF25 - 5% Cylinder Support, No Oring	35005053305
6	TF25 Cylinder Support Nut	35006001806
7	TF25 Adjustment Collar Nut	35007001807
8	TF25 Latch Nut	35008001808
23	Piston Sleeve (slides over Piston Bar)	35014001123
31	TF25 Dome O-ring	38023709231
32	TF 25 Cylinder Support Oring, EPDM	38010563232
41	TF25 Check Valve Nut	35019003841
65	TF25 Delring Ring (white ring under blue nut)	35032005179
71	MixRite Stand Legs	38000004171
Not Shown	TF25 Bridge for Legs (Blue Plastic)	35034013872

MixRites are very flexible water powered proportional injectors. Most of the time MixRites are used in a configuration where 100% of the water flows through the unit; however some customers want to use MixRites in **Bypass Loops** so chemical can be injected into higher flow rates. Examples of higher flow rates are large drip irrigation projects, linier irrigation systems and center pivot irrigation systems.

To inject the right amount of chemical into these **Bypass Loop** systems several questions need to be answered. How much water is flowing through the system? How much water is flowing through the MixRite? How much chemical needs to be injected?

Ounces of water flow per Click

All 2.5/500 series units and TF3	7.85
TF5	15
TF10	36
TF25	78.5

Math Formula for % of Chemical Injection in Bypass Loops

$$\frac{\text{GPM of flow through MixRite} \times \% (\text{MixRite setting})}{\text{Total Flow through system}} = \% \text{ of chemical mixed in total amount of water}$$

Total Flow through system

TF25 Examples

$$\frac{110 \text{ GPM} \times .05 (5\%) = 5.5}{1200 \text{ GPM}} = .00458\%$$

1200 GPM

$$\frac{50 \text{ GPM} \times .05 (5\%) = 2.5}{1200 \text{ GPM}} = .00208\%$$

1200 GPM

TF5 Examples

$$\frac{10 \text{ GPM} \times .001 (.01\%) = .01}{450 \text{ GPM}} = .00002222\%$$

450 GPM

$$\frac{110 \text{ GPM} \times .001 (.01\%) = .11}{1200 \text{ GPM}} = .00009\%$$

1200 GPM

$$\frac{50 \text{ GPM} \times .02 (2\%) = 1}{600 \text{ GPM}} = .00166\%$$

600 GPM

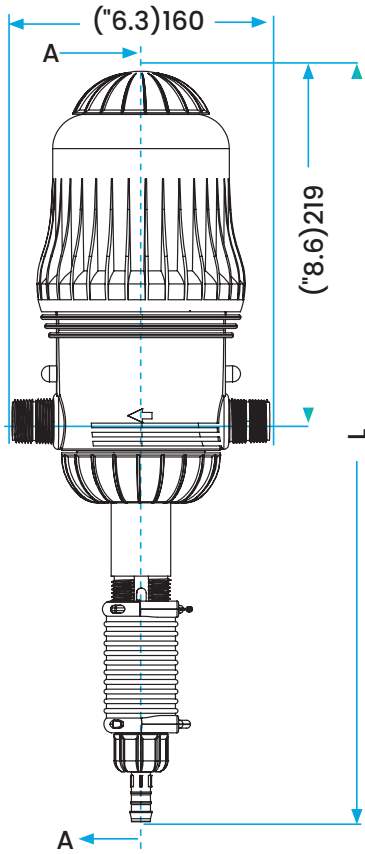
$$\frac{20 \text{ GPM} \times .001 (.01\%) = .02}{450 \text{ GPM}} = .00004444\%$$

450 GPM

Ratio and %: 1:20,000 ratio = .00005% 1:50,000 = .00002% 8:1,000 = .008% 1:256 = .0039%

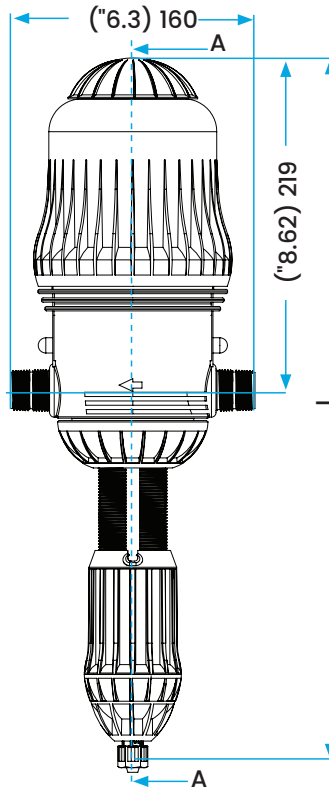
JJS 04-2011

MixRite™ 2.5



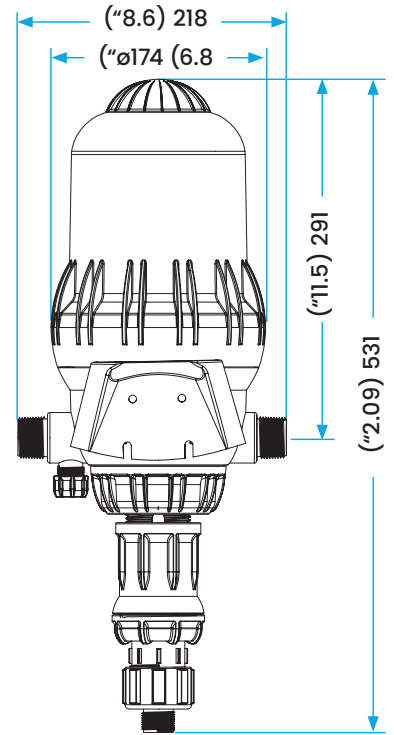
Air Release 19.5"
On/Off 20.7"

MixRite™ 3.5



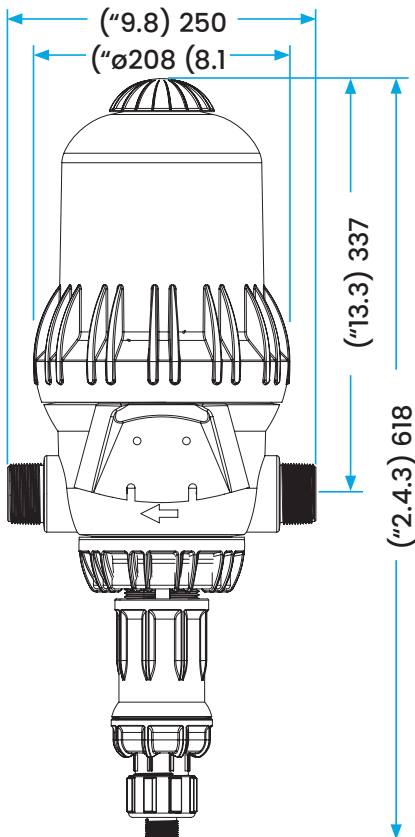
Air Release 19.1"
On/Off 21.7"

MixRite™ TF5



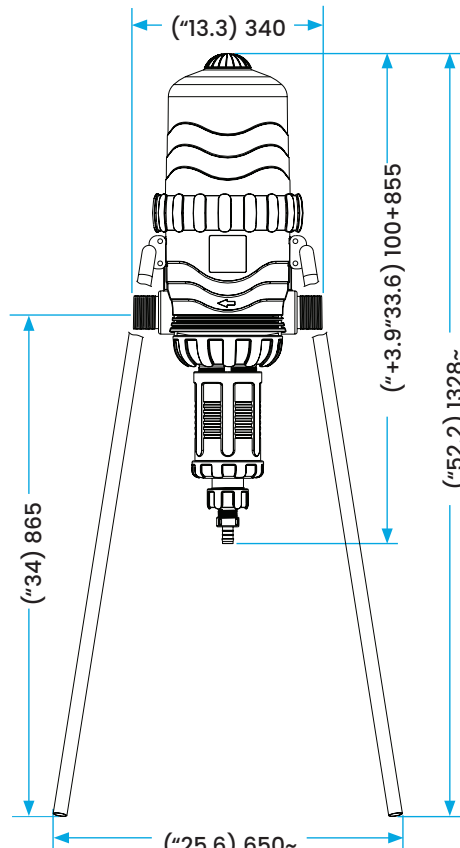
Air Release 23.4"
On/Off 26.7"

MixRite™ TF10



Air Release 26"
On/Off 29.9"

MixRite™ TF25



Air Release 39.3"
On/Off 40.5"

500-Series & TF3 - 11GPM Units

1 Click = .06 Gallons		
Clicks	Gallons	Liters
1	0.06	0.23
3	0.18	0.68
10	0.6	2.27
35	2.1	7.94
50	3	11.34
75	4.5	17.01
100	6	22.68
125	7.5	28.35
150	9	34.02

1 Gallon = 16 Clicks		
Clicks	Gallons	Liters
4	0.24	0.91
8	0.48	1.81
16	0.96	3.63
32	1.92	7.26
60	3.6	13.61
85	5.1	19.28
95	5.7	21.55
110	6.6	24.95
175	10.5	39.69

Clicks Per 15 Seconds		
Clicks	GPM	LPM
4	0.96	3.63
8	1.92	7.26
12	2.88	10.89
16	3.84	14.52
20	4.8	18.14
24	5.76	21.77
30	7.2	27.22
40	9.6	36.29
45	10.8	40.82

14-Series Units - 14 GPM Units

1 Click = .06 Gallons		
Clicks	Gallons	Liters
1	0.06	0.23
3	0.18	0.68
10	0.6	2.27
35	2.1	7.94
50	3	11.34
75	4.5	17.01
100	6	22.68
125	7.5	28.35
250	15	56.70

1 Gallon = 16 Clicks		
Clicks	Gallons	Liters
4	0.24	0.91
8	0.48	1.81
16	0.96	3.63
32	1.92	7.26
60	3.6	13.61
85	5.1	19.28
95	5.7	21.55
110	6.6	24.95
175	10.5	39.69

Clicks Per 15 Seconds		
Clicks	GPM	LPM
4	0.96	3.63
8	1.92	7.26
12	2.88	10.89
16	3.84	14.52
20	4.8	18.14
24	5.76	21.77
30	7.2	27.22
40	9.6	36.29
45	10.8	40.82

TF5 - 22GPM Units

1 Click = .11 Gallons		
Clicks	Gallons	Liters
1	0.11	0.42
5	0.55	2.08
10	1.1	4.16
15	1.65	6.24
25	2.75	10.40
30	3.3	12.47
40	4.4	16.63
50	5.5	20.79
75	8.25	31.19

1 Gallon = 9 Clicks		
Clicks	Gallons	Liters
2	0.22	0.83
5	0.55	2.08
9	1	3.78
18	1.98	7.48
27	2.97	11.23
55	6.05	22.87
81	8.91	33.68
100	11	41.58
150	16.5	62.37

Clicks Per 15 Seconds		
Clicks	GPM	LPM
4	1.76	6.65
8	3.52	13.31
12	5.28	19.96
16	7.04	26.61
20	8.8	33.26
24	10.56	39.92
30	13.2	49.90
40	17.6	66.53
45	19.8	74.84

TF10 - 45 GPM Units

1 Click = .205 Gallons		
Clicks	Gallons	Liters
10	2.05	7.75
20	4.10	15.50
35	7.18	27.12
50	10.25	38.75
65	13.33	50.37
80	16.40	61.99
100	20.50	77.49
150	30.75	116.24
200	41.00	154.98

1 Gallon = 5 Clicks		
Clicks	Gallons	Liters
2	0.41	1.55
5	1.03	3.87
10	2.05	7.75
25	5.13	19.37
40	8.20	31.00
65	13.33	50.37
75	15.38	58.12
150	30.75	116.24
200	41.00	154.98

Clicks Per 15 Seconds		
Clicks	GPM	LPM
4	3.28	12.40
8	6.56	24.80
12	9.84	37.20
16	13.12	49.59
20	16.4	61.99
24	19.68	74.39
30	24.6	92.99
40	32.8	123.98
45	36.9	139.48

TF25 - 110 GPM Units

1 Click = .61 Gallons		
Clicks	Gallons	Liters
15	9.15	34.59
25	15.25	57.65
45	27.45	103.76
55	33.55	126.82
75	45.75	172.94
100	61	230.58
125	76.25	288.23
150	91.5	345.87
200	122	461.16

10 Gallons = 16 Clicks		
Clicks	Gallons	Liters
16	9.76	36.89
32	19.52	73.79
48	29.28	110.68
64	39.04	147.57
80	48.8	184.46
100	61	230.58
125	76.25	288.23
150	91.5	345.87
200	122	461.16

Clicks Per 15 Seconds		
Clicks	GPM	LPM
4	9.76	36.89
8	19.52	73.79
12	29.28	110.68
16	39.04	147.57
20	48.8	184.46
24	58.56	221.36
30	73.2	276.70
40	97.6	368.93
45	109.8	415.04

DEMA, The worldwide leader in dilution control

In 1956, DEMA pioneered dilution control systems with the introduction of the first slide-bar faucet proportioner. Since our start in the Food Service market we've grown to support a vast range of industries where fluid control and chemical dosing is required. Whether it's dilution control in housekeeping, kitchens and laundry, nutrient delivery systems for agricultural applications, chemical injection or solenoid valves for carwashes, or anything in between, it's likely we work in that market.



DEMA Global Headquarters

10020 Big Bend Road
St. Louis, MO 63122
Phone: (314) 966-3533
Fax: (314) 965-8319
www.ag.demaeng.com
email: sales@demaeng.com

DEMA South America
Mobile: (5511) 98579-3477
email: omarpuras@uol.com.br

DEMA Mexico, Caribbean &
Central America
Mobile: 506 70146588
email: jorgee@demaeng.com

DEMA Europe
Phone: 31-36-522-7006
email: sales@demaurope.com

DEMA Asia
Mobile: 6012 476 7385
email: kevinlim@demaeng.com

DEMA Australia
Phone: 61-2-9525-5177
email: sales@demaust.com

LIKE, FOLLOW, AND SUBSCRIBE TO KEEP UP WITH DEMA ENGINEERING COMPANY

